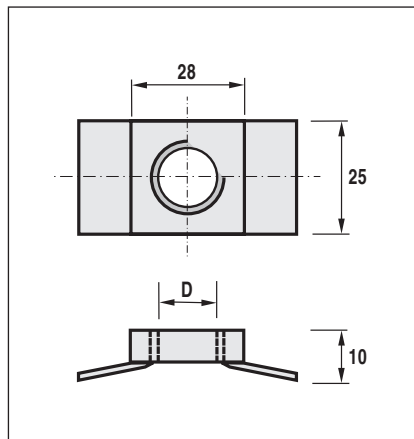


Piese de fixare pentru termocuple

Thermocouple - Holders

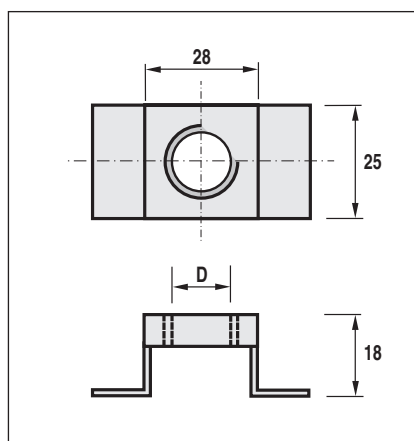
Tip/Type TB10



- Otel cu filet de alama
- Disponibil: M10, M12x1, M12x1,5, M14x1,5, M16x1,5 R1/8", R1/4", R3/8"
- Folosit ptr.: Rezistenta tip DH200, RH215, ZH205, ZH206, KH210, RK220, BK225

- Steel with brass-thread
- Available: M10, M12x1, M12x1,5, M14x1,5, M16x1,5 R1/8", R1/4", R3/8"
- Used for: Heater-type DH200, RH215, ZH205, ZH206, KH210, RK220, BK225

Tip/Type TB18



- Otel cu filet de alama
- Disponibil: M10, M12x1, M12x1,5, M14x1,5, M16x1,5 R1/8", R1/4", R3/8"
- Folosit ptr.: Rezistenta tip DH200, RH215, ZH205, ZH206, KH210, RK220, BK225

- Steel with brass-thread
- Available: M10, M12x1, M12x1,5, M14x1,5, M16x1,5 R1/8", R1/4", R3/8"
- Used for: Heater-type DH200, RH215, ZH205, ZH206, KH210, RK220, BK225

