

## Conector industrial multipin 16 -pini (16A)

### Tip/Type CIM 16

#### Carcasa

- 16x16A (16P+E)
- Grad de protectie IP 65
- 380-415V / 50-60 Hz
- Inel de fixare (presetupa):  
PG 21

#### Hood

- 16x16A (16P+E)
- Degree of protection IP 65
- 380-415V / 50-60 Hz
- Fixing ring:  
PG 21



### Tip/Type SIM 16

#### Soclu

- 16x16A (16P+E)
- Grad de protectie IP 65
- 380-415V / 50-60 Hz

#### Plug

- 16x16A (16P+E)
- Degree of protection IP 65
- 380-415V / 50-60 Hz



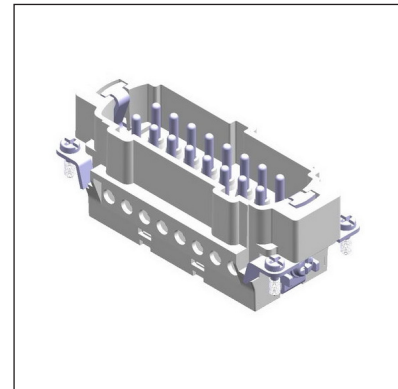
### Tip/Type IT 16

#### Insertie tata

- 16x16A (16P+E)
- Grad de protectie IP 65
- 380-415V / 50-60 Hz

#### Male insert

- 16x16A (16P+E)
- Degree of protection IP 65
- 380-415V / 50-60 Hz



### Tip/Type IM 16

#### Insertie mama

- 16x16A (16P+E)
- Grad de protectie IP 65
- 380-415V / 50-60 Hz

#### Female insert

- 16x16A (16P+E)
- Degree of protection IP 65
- 380-415V / 50-60 Hz

