

Asamblarea furtunurilor

LA CEREREA CLIENTULUI

S3130/ ... (AR ...)

S3132/ ... (AR ...)

S3133/ ... (AR ...)

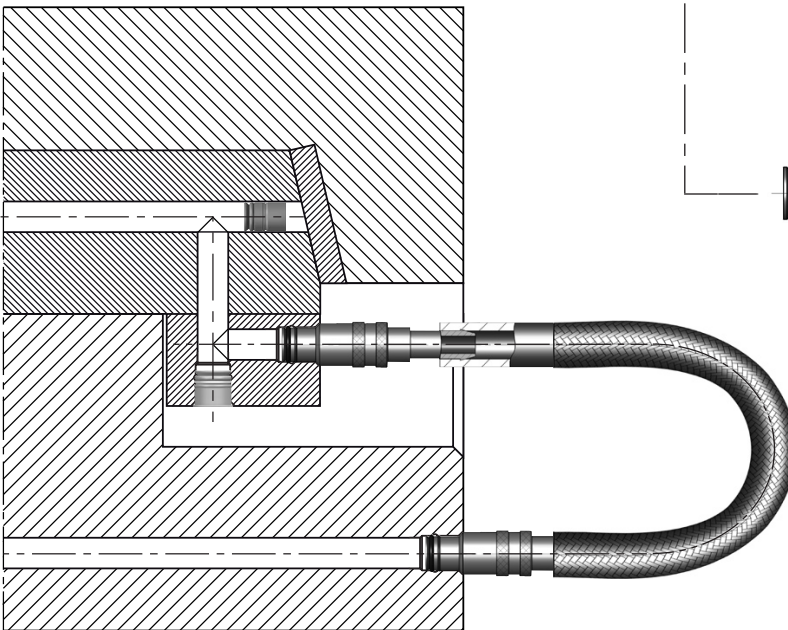
Material:

Alama, placat cu nichelina

Brass, nickel plated

Exemple de aplicare:

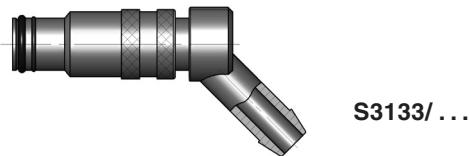
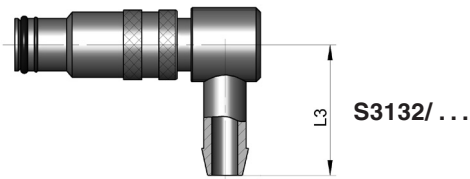
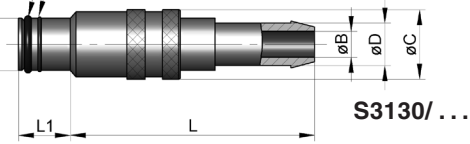
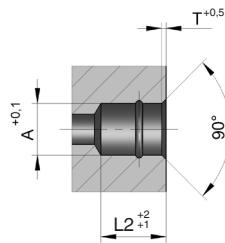
Application example:



Hose Assembly

CUSTOM MADE

Garnitura Viton® / Viton® O-ring / 200 °C
Inel metalic elastic / Elastic metal ring



Legatura flexibila de racire
intre matrita si bacuri.
Flexible cooling link
between mould and slide.

Set instrumente Tool set	A	B	C	D	T	L	L1	L2	L3	Nr. / No.
S3173/ 12	12	6	16	9	1	47	12	14	31	S3130 (S3132, S3133)/ 12
16	16	9	19	13	1,2	55	12,5	15	33	16
20	20	13	24	19		61	13,5	16,5	46	20

Furtunuri

S3502/ ...

Material: Silicon / Silicone

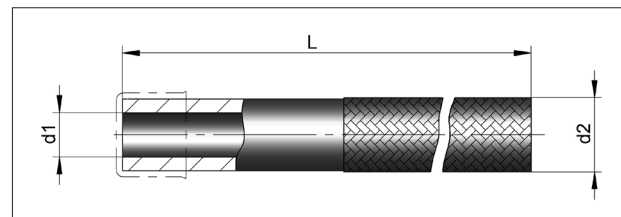
Culori / Color: T = transparent

R = rosu / red

B = albastru / blue

In caz de comanda, va rugam atasati culoarea dorita la
numarul de comanda. / When ordering, please attach the
color to the order number.

Hose



L [m]	d1	d2	p [bar] la/at 20 °C	Nr. / No.
25	9	15	15	S3502/ 9 x .
	13	19		13 x .

Asamblarea furtunurilor

LA CEREREA CLIENTULUI

Hose Assembly

CUSTOM MADE

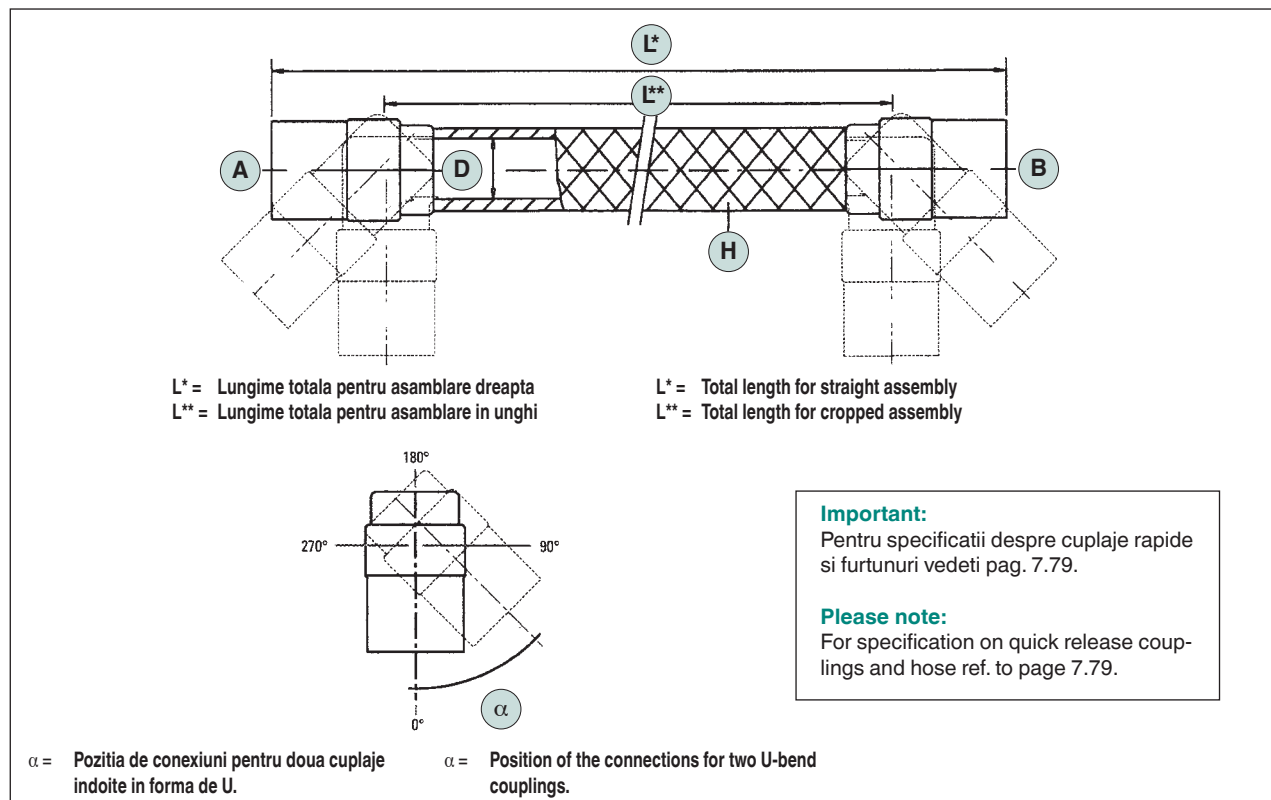
Formular comanda		Order form	
Firma/Company _____			
Persoana contact/Contact _____			
Tel.: _____	Fax: _____	Data/Date: _____	
<input type="checkbox"/> Comanda/Order	Nr./No.: _____	<input type="checkbox"/> Cerere oferta/Quotation	

Specificatii comanda:

n: Cantitatea
Nr.: S3516
H: Tip furtun (vedeti pag. 7.80a)
D: Diametru interior furtun
L: Lungime furtun
A: Conectarea Tip 1 (vedeti pag. 7.80a)
 α : Unghi
B: Conectarea Tip 2 (vedeti pag. 7.80a)

Order specifications:

n: Quantity
Nr.: S3516
H: Type of hose (ref. 7.80a)
D: Size of hose
L: Length of hose
A: Connection 1 (ref. 7.80a)
 α : Angle
B: Connection 2 (ref. 7.80a)



n	
Nr. / No.	S3516
H	
D [mm]	

L [mm]	
A	
α [°]	
B	

Asamblarea furtunurilor

LA CEREREA CLIENTULUI

Hose Assembly

CUSTOM MADE

Formular comanda		Order form
Firma/Company _____		
Persoana contact/Contact _____		
Tel.: _____	Fax: _____	Data/Date: _____
<input type="checkbox"/> Comanda/Order	Nr./No.: _____	<input type="checkbox"/> Cerere oferta/Quotation

Specificatii comanda:

n: Cantitatea
 Nr.: **S3515**

H: Tip furtun
 D: Diametru interior furtun
 L: Lungime furtun
 A: Conectarea Tip 1
 α : Unghi
 B: Conectarea Tip 2

Order specifications:

n: Quantity
 Nr.: **S3515**

H: Type of hose
 D: Size of hose
 L: Legth of hose
 A: Connection 1
 α : Angle
 B: Connection 2

L* = Lungime totala pentru asamblare dreapta
L** = Lungime totala pentru asamblare in unghi

L* = Total length for straight assembly
L** = Total length for cropped assembly

α = Pozitia de conexiuni pentru doua cuplaje indoite in forma de U.
 α = Position of the connections for two U-bend couplings.

Conectarea/Connections:

- S3300
- S3310
- S3305

n	
Nr. / No.	S3515
H	
D [mm]	

L [mm]	
A	
α [°]	
B	