

Insertie aerisire

INFO

S6550/ 1 (ISG ...)

Caracteristici:

- Coliere din material inoxidabil
- Posibilitatea de asamblare si dezasamblare din fata
- Intretinere usoara, complet demontabila
- Posibilitatea de a schimba diametrul exterior prin eliminarea unor elemente

Fata insertiei de aerisire poate fi modelata dupa necesitate.

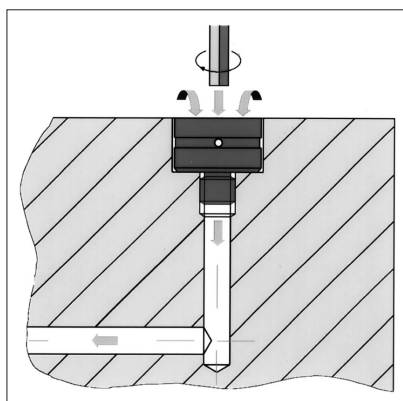
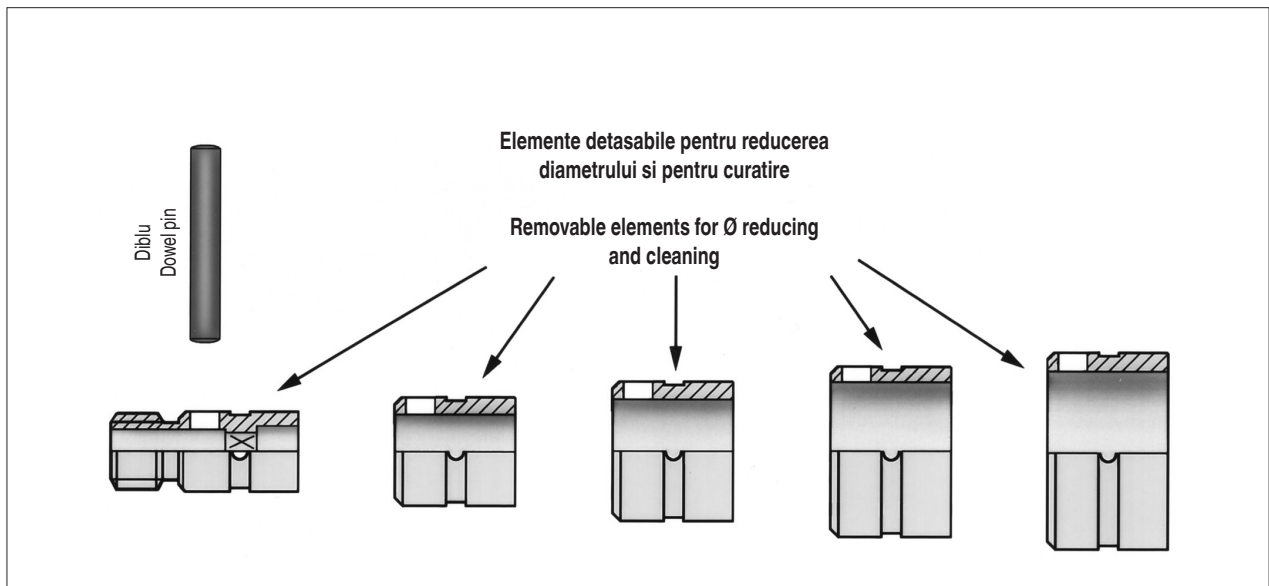
Venting Insert

INFO

Characteristics:

- Collars of stainless material
- Possibility of front assembly and disassembly
- Easy maintenance, completely dismantable
- Possibility to change the outside diameter by removing some elements

The face of the venting insert can be shaped as required.



Nr. / No.
S6550/ 1

