

Dispozitiv de retinere

Slide Retainer

S6405/ ... (RCR- ...)



Suruburi si dibluri incluse in pachet.

Screws and dowel pins are included in delivery.

Caracteristici:

- Capacitate de incarcare marita.
- Fara uzura, deoarece retinerea este determinata prin role.
- Rezistent la impuritati.

Features:

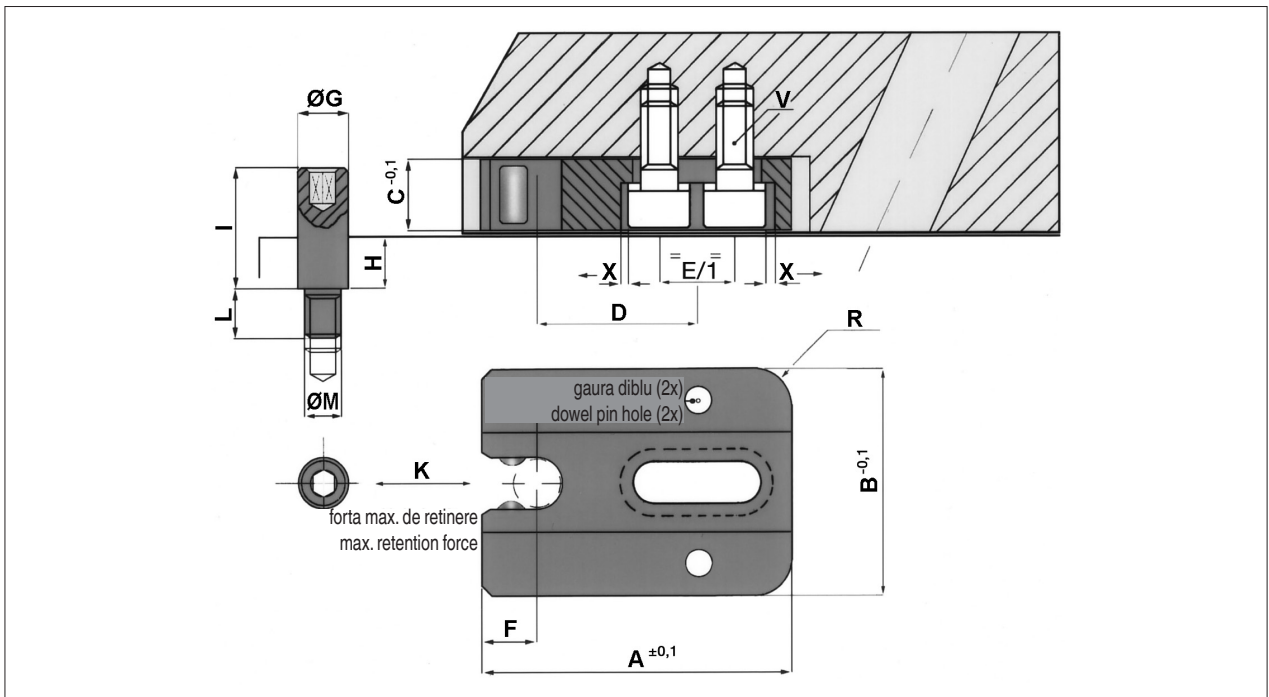
- Increased loading capacity.
- No wear, because retention is caused by rollers.
- Performance is resistant against soil.

Montare:

Cand fixati utilizand distanta de centru E/1, reglarea este posibila in termenul dimensiunii X.
Ulterior dispozitivul de retinere S6405 trebuie sa fie fixat cu dibluri.

Mounting:

When fixed using centre distance E/1 adjustment is possible within dimension X.
Afterwards slide retainer S6405 should be doweled.



A	B	C	D	E/1	F	G	H	I	L	M	V	X	R	K	Nr. / No.
38	24	10	18,5	10	7,5	6	6	15	6	M 5	M5x15	1,0	4	10	S6405/ 10
50	36	12	25,5	12	9,0	8	8	19	8	M 6	M6x15	1,5	6	20	20
64	46	16	33,0	15	12,0	12		23	10	M10	M8x20	2,0	8	40	40