

## Adaptor

Pentru S6420

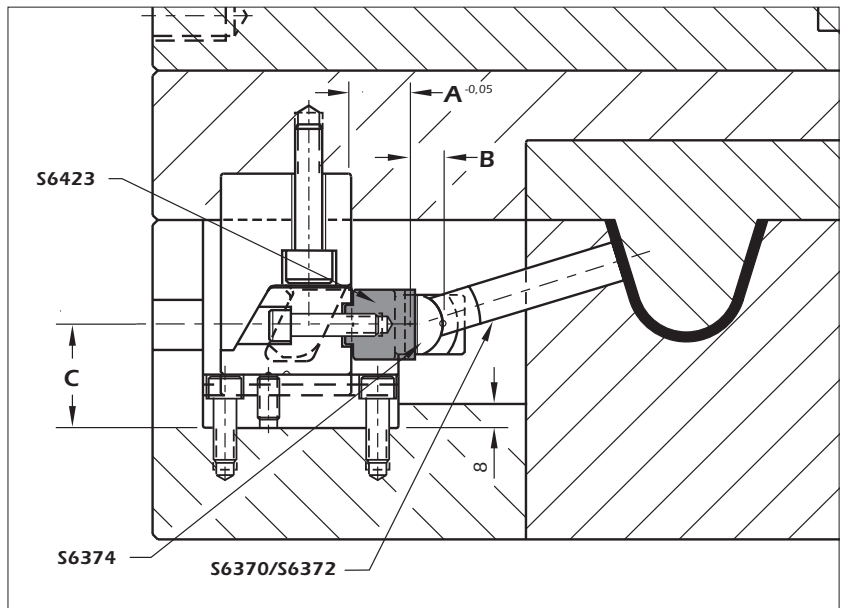
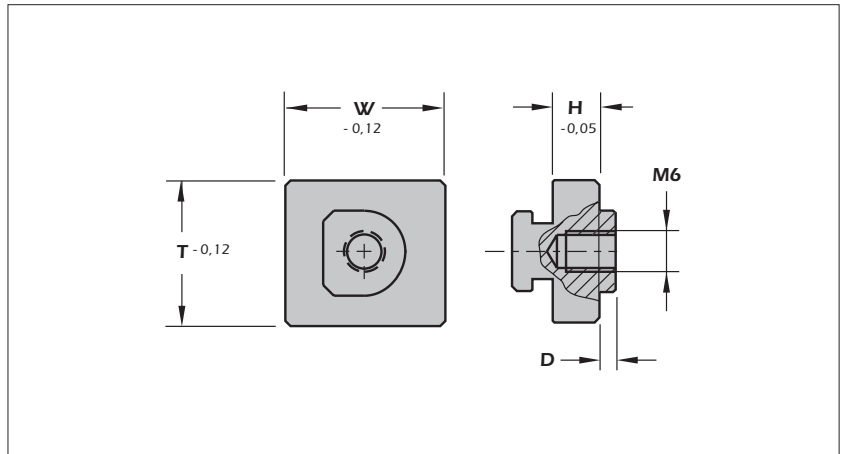
### S6423/ ... (CTGMM- ...)

Material: Otel special  
Duritate: 64-68HRc  
Suprafata: Nitrurat

## Adaptor

For S6420

Material: Special steel  
Hardness: 64-68HRc  
Surface: Salt bath nitrided



T	W	H	D	A	B	C	pentru/for S6420	Nr. / No.
23	23	6	2,5	12	10	30,15	X	S6423/ 23x23x6