

## Rezistente electrice pentru duze, tip banda

### Tip/Type KH200, KH200H

#### Aplicatii:

Incalzirea duzelor si matritelor, mai ales in cazurile in care sunt disponibile pentru montare in spatii limitate.  
De exemplu: la blocurile canalelor calde.

#### Constructie:

Sarma rezistenta in izolatie speciala de mica, incastrat intr-un tub de alama. Nu este complet sigilat.

#### Modele:

Conectarea prin intermediul a doua conductoare, cu izolatie cu fibra de sticla. Lungime cablu: 300mm (standard), alte lungimi la cerere.

- Cablu de intrare tip radial (**Tip1**) sau tip axial (**Tip2**).
- Deasemenea disponibile cu gauri.

Dimensiunile standard sunt indicate in tabelul alaturat.

## Nozzle Band Heaters

#### Application:

Heating of nozzles and moulds, especially in cases where only limited space is available for mounting.  
For example: runners with manifolds.

#### Construction:

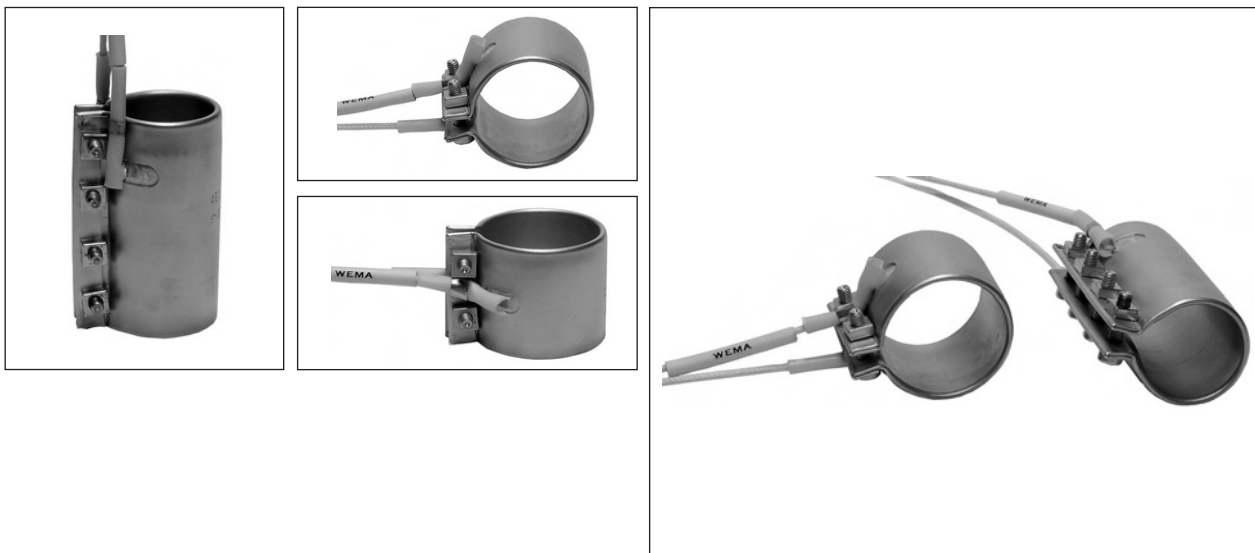
Resistance wire in special micanite insulation, encased in a brass tube. Not completely sealed.

#### Models:

Connection by means of two glass fibre insulated leads. Cable length: 300 mm (standard), other lengths on request.

- Radial cable entry (**Type 1**), or axial cable entry (**Type 2**).
- Also available with holes.

Standard measurements are indicated in the table alongside.

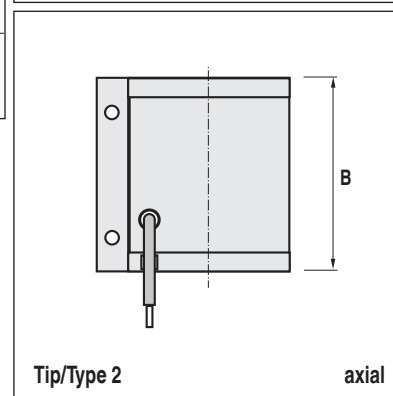
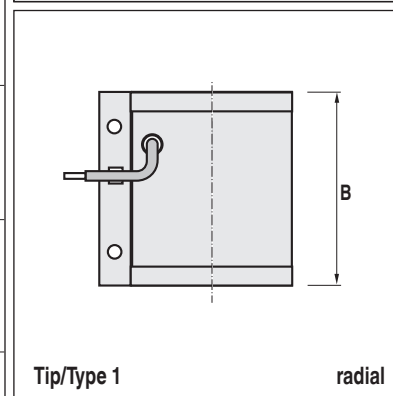
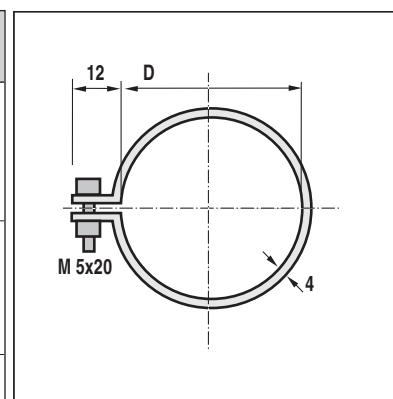


Nr. / No.		KH200	KH200H
Alimentarea: Main supply:		la cerere as required	
max T: max T:	°C	300	
ø min: ø min:	mm	25,0	
ø max: ø max:	mm	100,0	
Latime min.: Width min.:	mm	20,0	
Latime max.: Width max.:	mm	80,0	
Densitatea de putere: Heating - power:	W/cm <sup>2</sup>	max.: 3,5	max.: 7,0

## Rezistente electrice pentru duze, tip banda

## Nozzle Band Heaters

D (ø-mm)	B (mm)	P (Watt)	P (Watt)
25	20	60	110
25	30	80	160
25	40	110	220
25	60	160	320
25	80	220	440
28	20	60	120
28	30	90	180
28	40	120	240
28	60	180	360
28	80	250	480
30	20	80	120
30	30	100	150
30	40	150	300
30	60	200	400
30	80	260	520
35	20	100	150
35	30	120	230
35	40	150	300
35	60	220	450
35	80	300	600
40	20	120	200
40	30	140	260
40	40	180	350
40	60	260	520
40	80	350	650
60	40	250	500
60	60	400	800
60	80	520	1000
80	40	350	650
80	60	500	950
80	80	700	1200



Alte dimensiuni  
si puteri la cerere.

Other dimensions  
and heating-power on request.