

## Elemente de blocare, cu rulmenti, pentru productie in incaperi curate

### S1170/ ... (TLR ...)

- Material: 1.2842
- Duritate: 56 - 58 HRc
- Strat: Oxid negru

#### Informatii tehnice:

- Materialul carcasei rulmentilor :  
Rezistent chimic, armat cu Nylon
- Duritate rulmenti: 64 HRc
- Temperatura de lucru maxim: 150 °C

#### De retinut:

Pentru a asigura o performanta buna, unitatea de blocare trebuie intotdeauna sa fie pozitionata in zonele exterioare ale cavitatii placii.

Sunt incluse 4 suruburi (SHC 1 si 2) la livrare

Unitati speciale pot fi de asemenea livrate.

#### Atentie:

Toate dimensiunile si tolerantele sunt in toli!

## Locking Unit, with Needle Bearing, for Clean Room Manufacturing

- Material: 1.2842
- Hardness: 56 - 58 HRc
- Coating: Black oxide

#### Technical information:

- Material of needle cage:  
Chemically resistant, reinforced Nylon
- Needle hardness: 64 HRc
- Max. operating temperature: 150 °C

#### Please note:

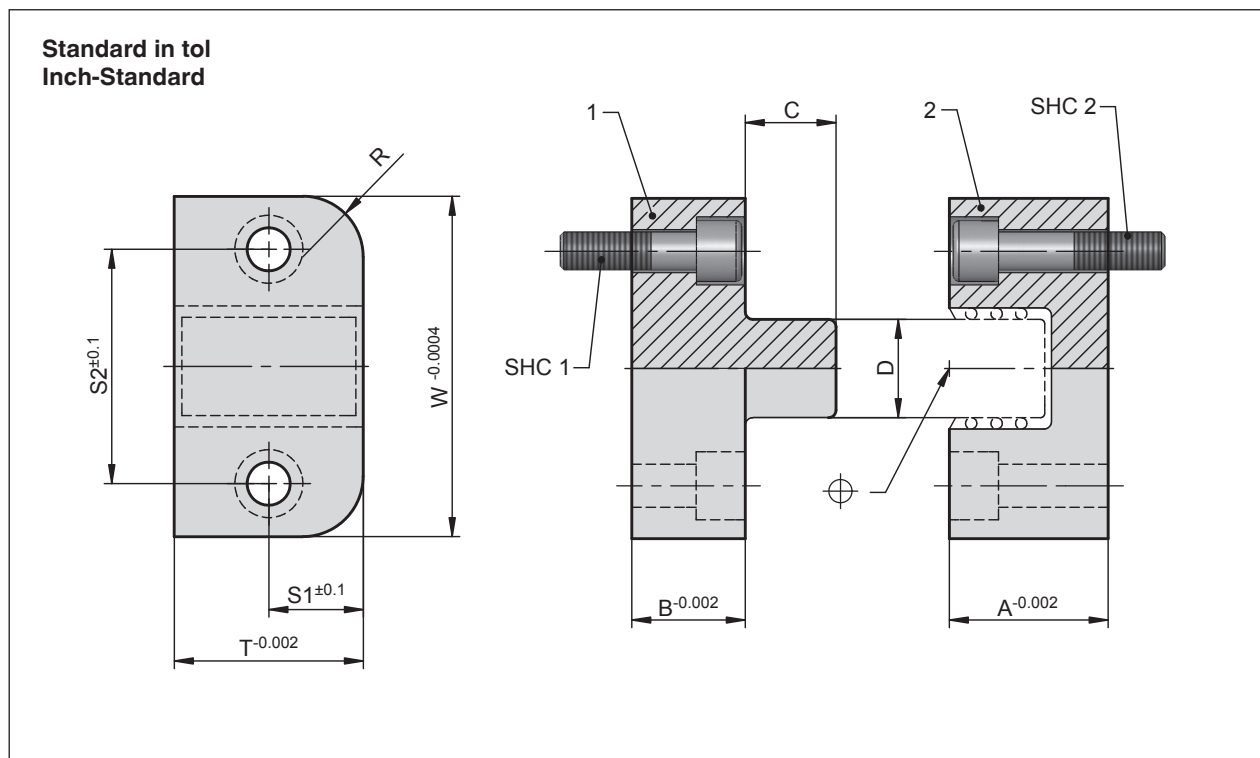
To ensure proper performance, locking units should always be positioned in outer areas of cavity plates.

4 socket head cap screws (SHC 1 and 2) are included

Custom made units can also be delivered.

#### Attention:

All dimensions and tolerances are in inches!



= Nou / New

T	W	A	B	C	D	S1	S2	R	SHC1	SHC2	Nr. No.
.875	1.500	1.375	.750	.66	.550	.438	1.143	.250	#8-32x7/8"	#8-32x1-1/2"	S1170/ 87x150x137
1.125	2.000	1.375	.625	.62	.660	.563	1.375	.375	1/4-20x3/4"	1/4-20x1-1/2"	S1170/ 112x200x137
1.500	2.500	1.375	.625	.62	.900	.750	1.750	.375	1/4-20x3/4"	1/4-20x1-1/2"	S1170/ 150x250x137
1.500	2.500	1.875	.875	1.02	1.015	.750	1.875	.375	1/4-20x1"	1/4-20x2"	S1170/ 150x250x187