

## Rezistente electrice pentru duze

## Nozzle Heaters

## Tip/Type DH200, DH200H, DH400, DH400 H

**Aplicatii:**

- Incalzirea duzelor pe masinile de injectie si aplicatii similare.

**Constructie:**

- Sarma rezistenta in izolatia speciala de mica complet incastrat intr-un tub de alama fara sudura, sau in tub din otel inoxidabil pentru a impiedica patrunderea plasticului.

**Modele:**

- Conexiune robusta cu acoperire cu otel, lungime cablu: 300mm (standard), alte lungimi la cerere. Sunt disponibile diferite tipuri de intrare si unghi a cablurilor (a se vedea schitele).  
Intrarea cablului standart: Tipul 1 - la 45° de grade

- Disponibile deasemenea cu gauri sau cu termocuple incorporate.

\* Este disponibil separat si termocuplu de alama tip inel (Nr.-Art. TF 2105).

**Application:**

- Heating of nozzles on injection moulding machines and similar applications.

**Construction:**

- Resistance wire in special micanite insulation, completely enclosed in a seamless brass tube, or stainless steel tube to prevent plastic ingress.

**Models:**

- Sturdy steel connection cover Cable length: 300 mm (standard), other lengths on request. Different cable entry/angles (see sketches) are available.  
Standard cable entry: Type 1 - 45° degrees.

- Available also with holes or built-in thermocouples.

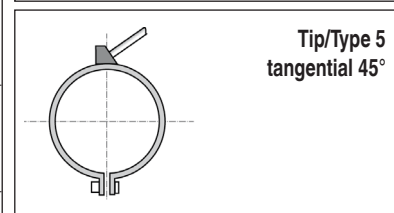
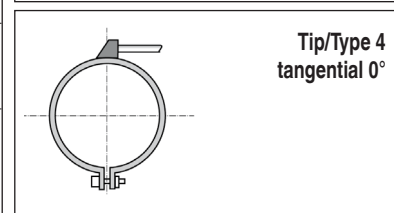
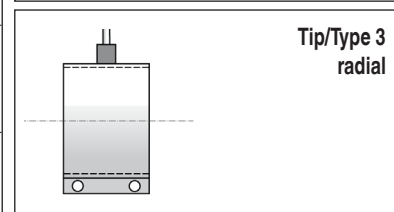
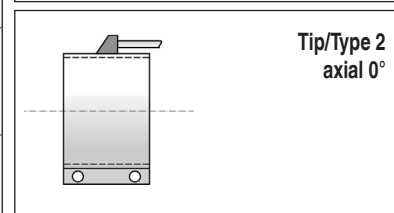
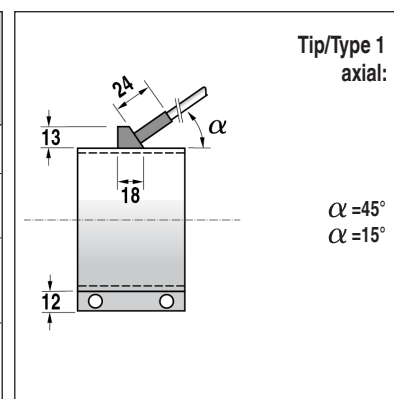
\* Separate brass-ring-thermocouples (Art-Nr. TF 2105) available.



Nr. / No.		DH200	DH200H	DH400	DH400H
Alimentarea: Main supply:		la cerere as required			
max T: max T:	°C	300			
ø min: ø min:	mm	25,0			
ø max: ø max:	mm	110,0			
Latime min.: Width min.:	mm	20,0			
Latime max.: Width max.:	mm	80,0		50,0	
Densitatea de putere: Heating - power:	W/cm <sup>2</sup>	max.: 3,5	max.: 6,0	max.: 3,5	max.: 6,0

**Rezistente electrice pentru duze**
**Nozzle Heaters**

D (ø-mm)	B (mm)	DH200 DH400 P (Watt)	DH400 DH400H P (Watt)
28	20	80	100
28	25	80	100
30	20	80	100
30	25	90	120
30	30	100	160
35	20	100	120
35	25	100	150
35	30	120	180
35	40	150	240
40	20	120	160
40	25	130	180
40	30	140	250
40	40	180	300
40	50	220	350
45	20	130	180
45	25	140	200
45	30	150	250
45	40	190	320
45	50	220	350
48	20	140	180
48	25	150	200
48	30	160	270
48	40	200	320
48	50	250	420
50	20	140	180
50	25	150	210
50	30	160	270
50	40	200	350
50	50	260	430
55	20	160	200
55	25	150	210
55	30	180	320
55	40	250	400
55	50	300	480
58	20	160	200
58	25	170	250
58	30	180	320
58	40	250	400
60	20	160	210
60	25	170	260
60	30	180	350
60	40	250	450
60	50	340	520
65	20	180	270
65	25	190	300
65	30	230	370
65	40	280	450
70	30	250	400
70	35	300	420
70	40	350	500
70	50	400	600
70	60 *	450	720
75	30	250	450
75	40	350	550
80	20	180	320
80	30	150	450
80	40	350	550
80	60 *	500	820
85	30	300	500
85	40	350	600
85	60 *	500	900
90	30	300	500
90	40	350	600
90	60 *	500	900
100	30	340	550
100	40	450	700
100	50	480	800
100	60 *	560	900
110	30	340	550
110	40	450	700
110	50	480	800
110	60 *	560	900



**Alte dimensiuni si puteri la cerere.**

**Other dimensions and heating-power on request.**

\*: DH400 disponibil numai pana la latimea de 50 mm

\*: DH400 only available up to 50 mm widths