

Conector industrial multipin 5 -pini (10A)

Tip/Type CIM-IT 5

Conector industrial multipin
cu insertie tata

- 5x10A (4P+E)
- Grad de protectie IP 65
- 220-240V / 50-60 Hz
- Inel de fixare (presetupa):
PG 11

Tip/Type SIM-IM 5

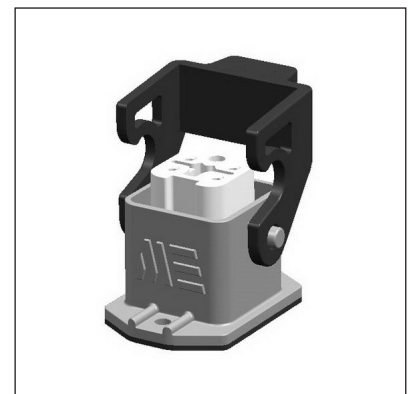
Soclu industrial multipin
cu insertie mama

- 5x10A (4P+E)
- Grad de protectie IP 65
- 220-240V / 50-60 Hz

Multipole connector 5 -pole (10A)

Multipole connector
with male insert

- 5x10A (4P+E)
- Degree of protection IP 65
- 220-240V / 50-60 Hz
- Fixing ring:
PG 11



Multipole plug
with female insert

- 5x10A (4P+E)
- Degree of protection IP 65
- 220-240V / 50-60 Hz