

Conector industrial multipin 32 -pini (16A)

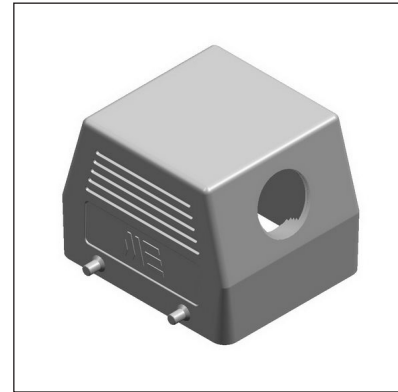
Tip/Type CIM 32

Carcasa

- 32x16A (32P+E)
- Grad de protecție IP 65
- 380-415V / 50-60 Hz
- Inel de fixare (presetupa):
PG 21

Hood

- 32x16A (32P+E)
- Degree of protection IP 65
- 380-415V / 50-60 Hz
- Fixing ring:
PG 21



Tip/Type SIM 32

Soclu

- 32x16A (32P+E)
- Grad de protecție IP 65
- 380-415V / 50-60 Hz

Plug

- 32x16A (32P+E)
- Degree of protection IP 65
- 380-415V / 50-60 Hz



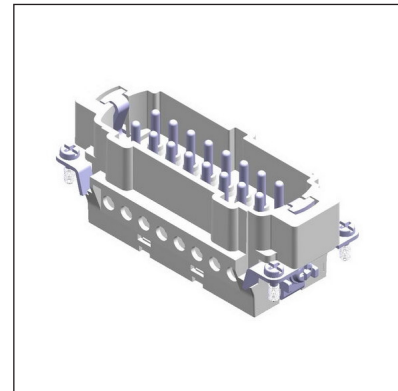
Tip/Type IT 32

Insertie tata

- 32x16A (32P+E)
- Grad de protecție IP 65
- 380-415V / 50-60 Hz

Male insert

- 32x16A (32P+E)
- Degree of protection IP 65
- 380-415V / 50-60 Hz



Tip/Type IM 32

Insertie mama

- 32x16A (32P+E)
- Grad de protecție IP 65
- 380-415V / 50-60 Hz

Female insert

- 32x16A (32P+E)
- Degree of protection IP 65
- 380-415V / 50-60 Hz

