

Rezistenta spiralata, 3,3 mm, rotund

LA CEREREA CLIENTULUI
S5135/ . . . (WRP 20)

Specificatii tehnice:

Material: CrNi-Otel
Lungime totala: 340 - 1400 mm (in stare dreapta)
Lungime incalzita: 250 - 1310 mm (in stare dreapta)
Zona neincalzita: 65 mm, + capat conectare: 25 mm
Tensiune: 230 V
Putere: 195 - 950 W

- disponibil cu sau fara termocuplu (Fe-CuNi)

Modele spirale:

- Lungimi 20-200 mm
- Diametru interior: 8 - 50 mm

Coil Heater, 3,3 mm, round

CUSTOM MADE

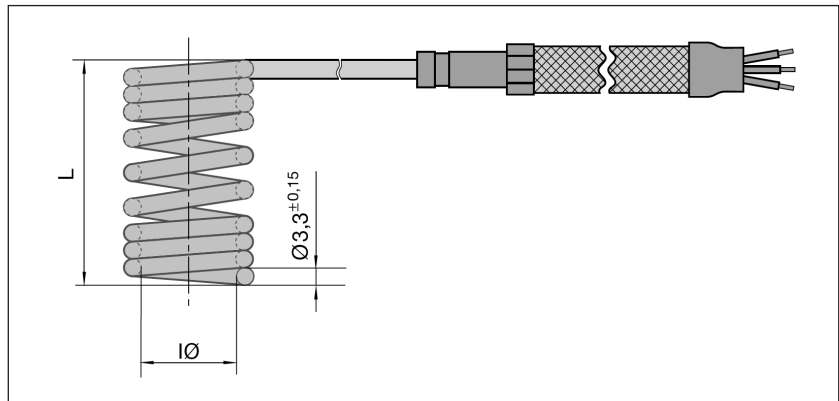
Technical specifications:

Material: CrNi-Steel
Total length: 340 - 1400 mm (straight)
Heated length: 250 - 1310 mm (straight)
Unheated zone: 65 mm, +connection head: 25 mm
Voltage: 230 V
Wattage: 195 - 950 W

- available with or without thermocouple (Fe-CuNi)

Coiled design:

- Length 20 - 200 mm
- Internal diameter: 8 - 50 mm



Puteri si dimensiuni disponibile in stoc:

Possible wattage and dimensions coiled out of stock heaters:

Ø [mm]:	20	40	60	80	100	120	140	160	180	200	L [mm]
10		180	270	390	390	500	500	500	630	630	
12		180	270	390	390	500	500	630		630	
12,5		180	270	390	390	500	500	630		630	
14		270	390	390	500	500	630			630	
15		270	390	500	500	630				630	
16		270	390	500	500	630				630	
18			270	390	500	500					
20			270	390	500	630					
22	180	390	500	630	630						
24	185	390	500	630							
25 (1")	185	390	630	630							
28	185	390	630								
30	185	500	630								
35	185	500									
38	270	500									
40	270	630									
45	270	630									
50 (2")	390										Putere / Wattage

Rezistentă spiralată
3,3 mm, rotund

Coil Heater
3,3 mm, round

S5135/ ... (WRP 20)



Tipul spiralei
Type of coiling

A1



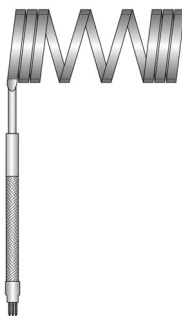
in stare dreapta
uncoiled

A2



Spiralare bloc
Block coiling

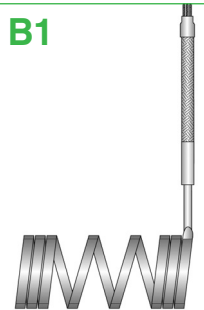
A3



Spiralare logaritmică
Logarithmic coiling

Teacă
Jacket

B1



fără
without

B2



Tub de reflexie
Reflection tube

B3



Banda de retenere
Strap retainer

B4



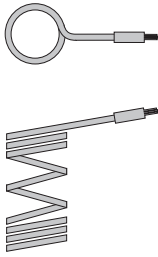
Turnată în alamă
Brass casted

Rezistenta spiralata
3,3 mm, rotund

Coil Heater
3,3 mm, round

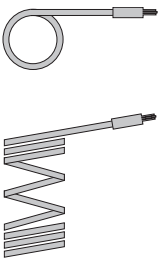
Tipuri de iesiri
Exit variations

C1



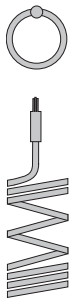
radial

C2



tangential

C3



axial

Tipuri de cabluri
si optiuni de conectare

Lead types
and connection options

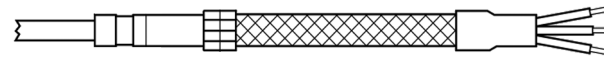
D2



Capat comun
cu conductor de impamantare (tip N)

Common head
with ground conductor (Type N)

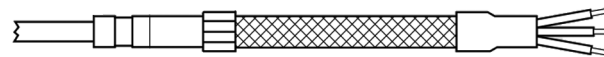
D3



Capat comun cu conductor de impamantare
si manson GLS (Tip NG)

Common head with ground conductor
and GLS-sleeve (Type NG)

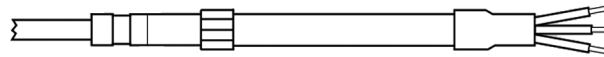
D4



Capat comun cu conductor de impamantare
si manson metalic impletit (Tip ND)

Common head with ground conductor
and metal braided sleeve (Type ND)

D5



Capat comun cu conductor de impamantare
si manson PTFE (Tip NT)

Common head with ground conductor
and PTFE-sleeve (Type NT)

D6



Cablu izolat PTFE,
cu manson metalic flexibil

PTFE-insulated lead with
flexible metal sleeve

D7



Conector priza 3 poli

3 pole plug connector

D8



Conector priza 5 poli

5 pole plug connector

**Rezistenta spiralata
3,3 mm, rotund**

**Coil Heater
3,3 mm, round**

Formular comanda		Order form	
Firma/Company _____			
Persoana contact/Contact _____			
Tel.: _____	Fax: _____	Data/Date: _____	
<input type="checkbox"/> Comanda/Order	Nr./No.: _____	<input type="checkbox"/> Cerere oferta/Quotation	

Specificatii comanda:

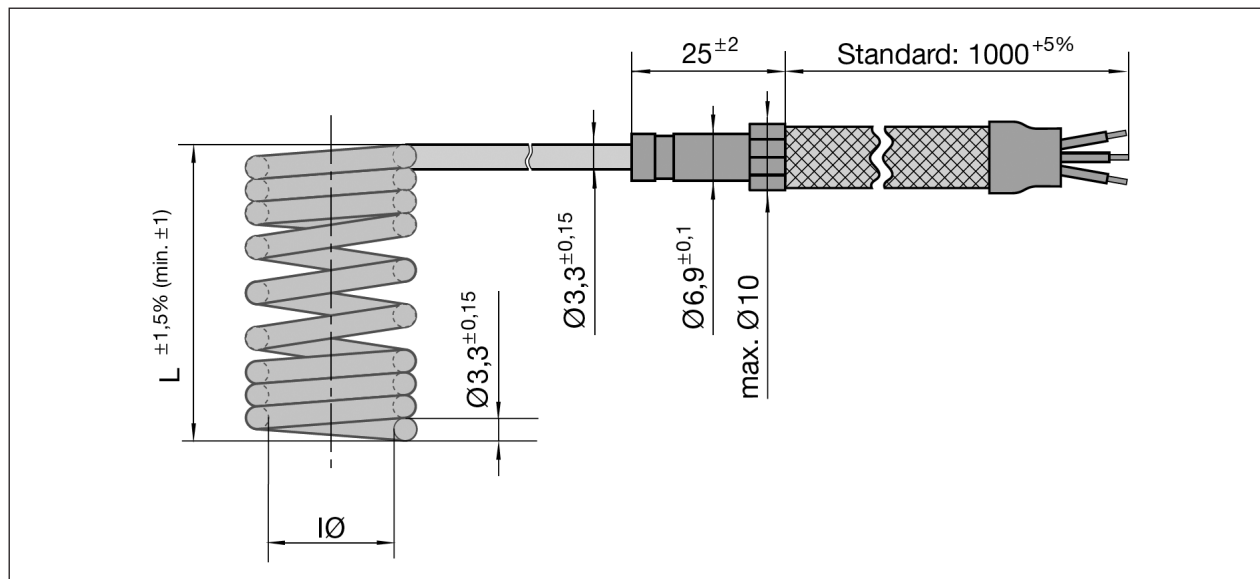
Order specifications:

n: Cantitatea
Nr.: S5135

n: Quantity
No.: S5135

IØ: Diametru interior-Ø (8 - 50 mm)
L: Lungime spirala (20 - 200 mm)
A: Tipul spiralei (3.16 A1-3)
B: Teaca (3.16 B1-4)
C: Tipuri de iesiri (3.17 C1-3)
D: Optiuni de conectare (3.17 D2-8)
T: cu termocuplu (1)
fara termocuplu (2)

IØ: Internal-Ø (8 - 50 mm)
L: Coiled length (20 - 200 mm)
A: Type of coiling (3.16 A1-3)
B: Jacket (3.16 B1-4)
C: Exit variations (3.17 C1-3)
D: Connection options (3.17 D2-8)
T: with thermocouple (1)
without thermocouple (2)



Alte dimensiuni pentru rezistentele spiralate se pot furniza la cerere.

Other designs of coil heaters can be supplied on request.

n	Nr. / No.	IØ [mm]	L [mm]	A	B	C	D	T
	S5135 /	X	X	X	X	X	X	X
	S5135 /	X	X	X	X	X	X	X
	S5135 /	X	X	X	X	X	X	X
	S5135 /	X	X	X	X	X	X	X
	S5135 /	X	X	X	X	X	X	X