

Rezistenta spiralata 2,2 x 4,2 mm, dreptunghiular

Coil Heater 2,2 x 4,2 mm, rectangular

S5137/ . . . (WRP 30)

Specificatii tehnice:

Material: CrNi-Otel
Lungime totala: 340 - 1400 mm (in stare dreapta)
Lungime incalzita: 250 - 1310 mm (in stare dreapta)
Zona neincalzita: 65 mm, + capat conectare: 25 mm
Tensiune: 230 V
Putere: 195 - 950 W

Technical specifications:

Material: CrNi-Steel
Total length: 340 - 1400 mm (straight)
Heated length: 250 - 1310 mm (straight)
Unheated zone: 65 mm, +connection head: 25 mm
Voltage: 230 V
Wattage: 195 - 950 W

- disponibil cu sau fara termocuplu (Fe-CuNi)

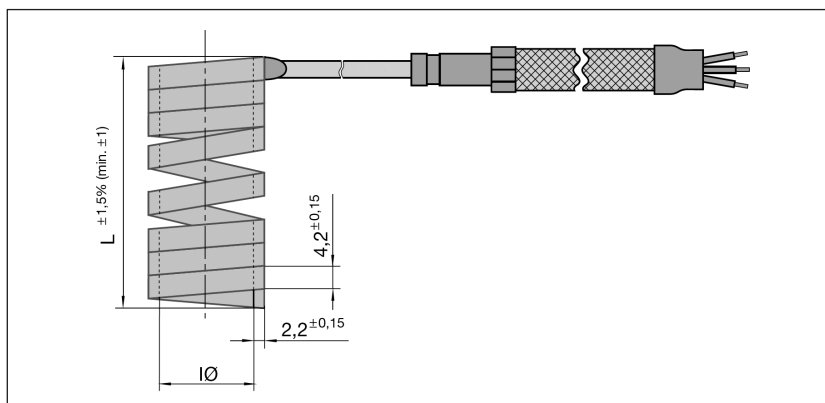
- available with or without thermocouple (Fe-CuNi)

Modele spirale

- Lungimi 20-200 mm
- Diametru interior: 8 - 50 mm

Coiled design:

- Length 20 - 200 mm
- Internal diameter: 8 - 50 mm



Puteri si dimensiuni disponibile in stoc:

Possible wattage and dimensions coiled out of stock heaters:

Ø [mm]:	20	40	60	80	100	120	140	160	180	200	L [mm]
10		195	240	350	350	350	400	460	460	610	
12		215	295	400	400	400	460	610	610	610	
12,5		215	295	400	400	400	460	610	610	690	
14		240	350	400	400	460	610	610	690	690	
15		240	400	460	460	610	610	610	690		
16		240	400	460	460	610	610	690	690		
18		295	400	610	610	610	690	690			
20		295	460	610	610	690	690				
22	195	350	610	690	690	690					
24	195	400	610	690	690						
25 (1")	215	400	610	690	690						
28	215	460	690								
30	240	460	690								
35	295	610									
38	295	610									
40	295	610									
45	350	690									
50 (2")	400	690									Putere / Wattage

Rezistentă spiralată,
2,2 x 4,2 mm, dreptunghiular

Coil Heater,
2,2 x 4,2 mm, rectangular

S5137/ ... (WRP 30)



Tipul spiralei
Type of coiling

A1



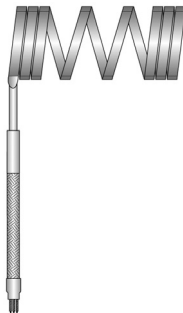
in stare dreapta
uncoiled

A2



Spiralare bloc
Block coiling

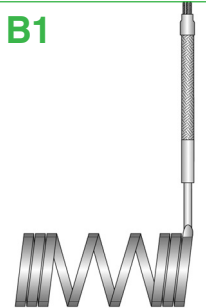
A3



Spiralare logaritmică
Logarithmic coiling

Teaca
Jacket

B1



fara
without

B2



Tub de reflexie
Reflection tube

B3



Banda de retenere
Strap retainer

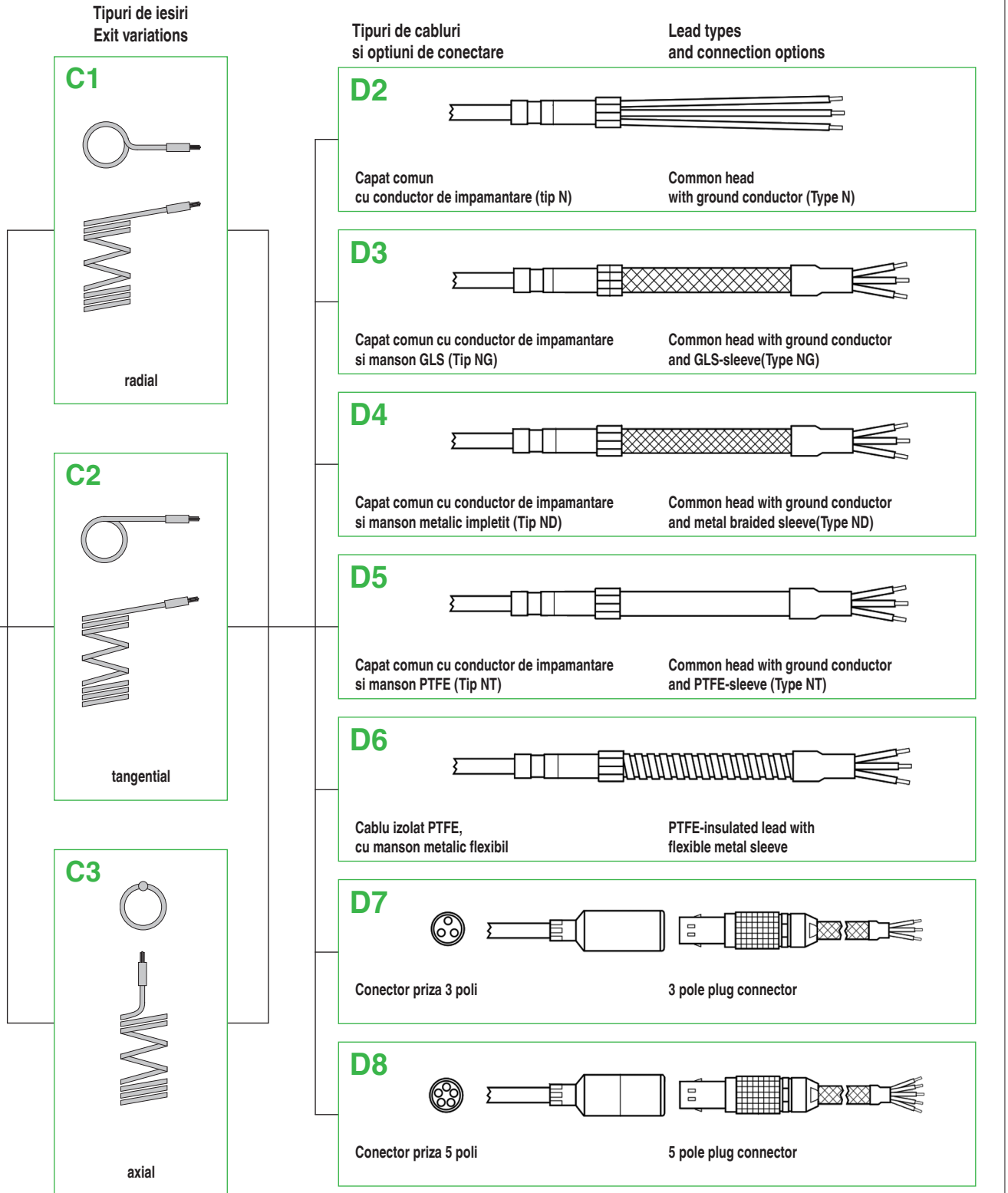
B4



Turnată în alama
Brass casted

**Rezistenta spiralata,
2,2 x 4,2 mm, dreptunghiular**

**Coil Heater,
2,2 x 4,2 mm, rectangular**



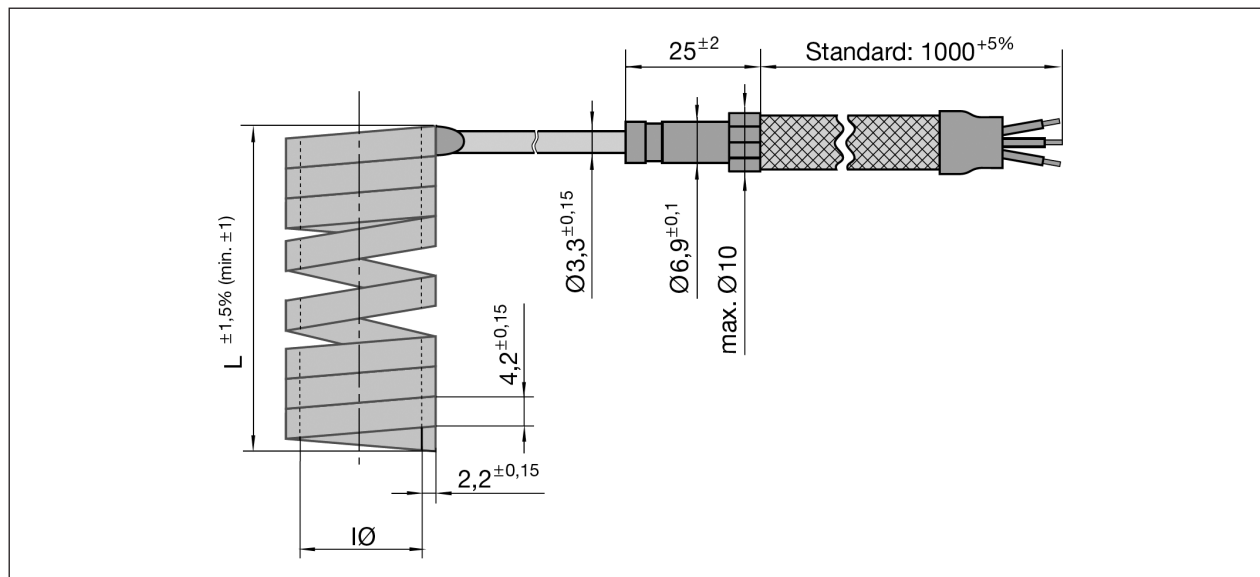
**Rezistenta spiralata,
2,2 x 4,2 mm, dreptunghiular**
LA CEREREA CLIENTULUI
**Coil Heater,
2,2 x 4,2 mm, rectangular**
CUSTOM MADE

Formular comanda		Order form
Firma/Company _____		
Persoana contact/Contact _____		
Tel.: _____	Fax: _____	Data/Date: _____
<input type="checkbox"/> Comanda/Order	Nr./No.: _____	<input type="checkbox"/> Cerere oferta/Quotation

Specificatii comanda:
n: Cantitatea
Nr.: S5137

IØ: Diametru interior-Ø (8 - 50 mm)
L: Lungime spirala (20 - 200 mm)
A: Tipul spiralei (3.24 A1-3)
B: Teaca (3.24 B1-4)
C: Tipuri de iesiri (3.25 C1-3)
D: Optiuni de conectare (3.25 D2-8)
T: cu termocuplu (1)
 fara termocuplu (2)

Order specifications:
n: Quantity
No.: S5137

IØ: Internal-Ø (8 - 50 mm)
L: Coiled length (20 - 200 mm)
A: Type of coiling (3.24 A1-3)
B: Jacket (3.24 B1-4)
C: Exit variations (3.25 C1-3)
D: Connection options (3.25 D2-8)
T: with thermocouple (1)
 without thermocouple (2)


Alte dimensiuni pentru rezistentele spiralate se pot furniza la cerere.

Other designs of coil heaters can be supplied on request.

n	Nr. / No.	IØ [mm]	L [mm]	A	B	C	D	T
	S5137 /	X	X	X	X	X	X	X
	S5137 /	X	X	X	X	X	X	X
	S5137 /	X	X	X	X	X	X	X
	S5137 /	X	X	X	X	X	X	X
	S5137 /	X	X	X	X	X	X	X