

Rezistentele tubulare flexibile, Ø (rotund), □ (patrat)

INFO

S5152/ . . . (RHK-S) 3.33

S5153/ . . . (RHK-S) 3.34

S5155/ . . . (RHK-O) 3.35

S5156/ . . . (RHK-O) 3.36

S5160/ . . . 3.37- 3.38

Rezistentele tubulare flexibile WEMA-flex cu sectiunea rotunda si WEMA-flex cu sectiunea patrata (supafata de contact 75%) pot fi livrate in diferite dimensiuni si pot fi indoite de mana pentru a se potrivi in aproape orice contur sau canal 2D sau 3D.

Invelisul exterior din manta metalica impletita se adapteaza la orice forma si intra in mod egal in orice canal de pe suprafata fara goluri. Aceasta garanteaza conductivitatea optima chiar si in conditii dure. Va rugam sa luati in considerare instructiunile noastre de montare, care se anexeaza la fiecare livrare.

Aplicatii:

- Sisteme de canale calde
- Bare de sudura

Flexible Tubular Heaters, Ø (round), □ (square)

INFO



The flexible tubular heater WEMA-flex with a round section resp. WEMA-flex square with a square section (contact surface 75% !) is delivered in various sizes and can be bent by hand to fit into nearly any 2D or 3D contour and groove.

The outer sheath made of braided metal sleeve adapts to any shape and presses itself equally into any groove on the surface without gaps. This guarantees optimal conduction even when under duress.

Please consider our mounting instruction, which is attached to each delivery.

Applications:

- Hot runner systems
- Welding bars

Nr. / No.		S5160	S5153/S5156		S5152/S5155	
Sectiunea transversala Cross-section	mm	□ 4x4	□ 6x6	□ 8x8	Ø 6,5	Ø 8,5
Lungime Length	mm	max. 1000	max. 2600			
Toleranta la lungime Length tolerance	%	±2,5	±1,5			
Zona neincalzita Unheated zones	mm	45 + 30	30/30			
Raza de indoire, de la mijloc Bending radius, from the middle	mm	10	12	14	12	14
Densitatea de putere Heating - power	W/cm ²	max. 8	max. 10			
Tensiunea de alimentare Connection voltage	V	230				
Stabilitatea la tensiune inalta (la rece) High voltage stability (cold)	V-AC	800	1000			
Rezistenta izolator (la rece) Insulation resistance (cold)	MΩ	min. 5				
Scapare de curent (la rece) (253 V) Leakage current (cold) (253 V)	mA	max. 0,5				

**Rezistente tubulare flexibile,
Ø (rotund), □ (patrat)**

INFO

S5152/ ... (RHK-S) 3.33

S5153/ ... (RHK-S) 3.34

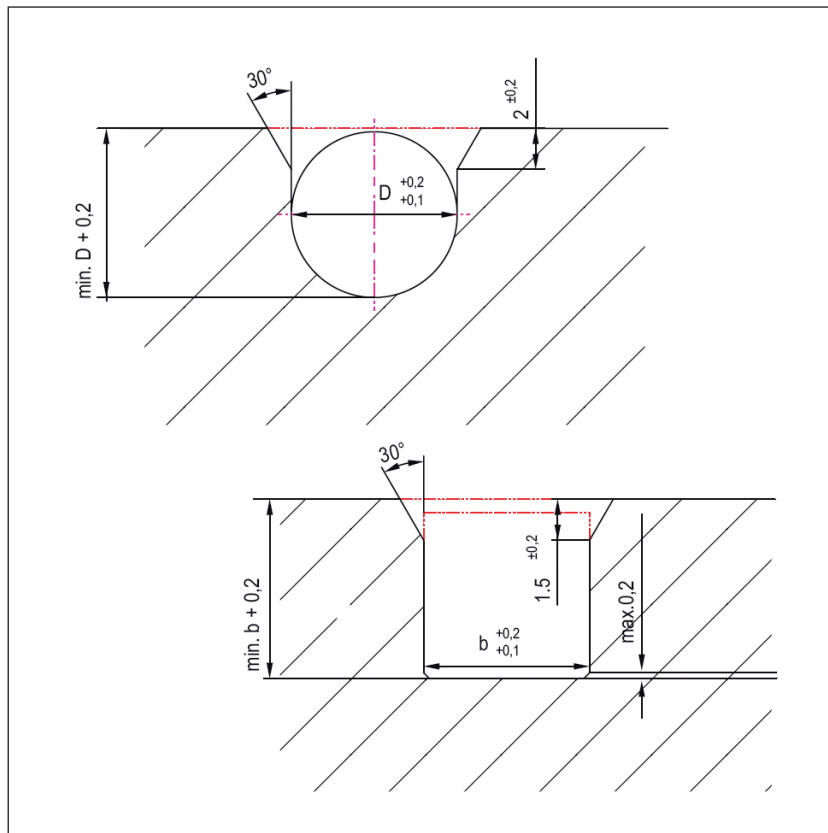
S5155/ ... (RHK-O) 3.35

S5156/ ... (RHK-O) 3.36

S5160/ ... 3.37- 3.38

**Flexible Tubular Heaters,
Ø (round), □ (square)**

INFO

**Sfaturi de instalare**

1. Datorita constructiei si materialelor alese pentru rezistentele tubulare flexibile, tulpina termica este de importanta redusa pentru procesul de indoire.
2. Realizati un canal de insertie conform desenelor noastre. Evitati crearea marginilor ascutite pe canalele de insertie, prevenind astfel orice deteriorare la invelisul exterior al rezistentelor tubulare. Deteriorarea invelisului metalic exterior nu afecteaza in mod necesar functionalitatea.
3. Rezistentele tubulare sunt marcate la mijloc, astfel introducerea lor in canelura incepe de la acest punct.
4. Va recomandam utilizarea unui ciocan de cauciuc pentru indoirea rezistentelor tubulare.
5. Raza minima de îndoire la mijloc este de 14 mm.
6. La 10 mm de punctul in care tubul rezistentei tubulare este presat, devine rigid si nu poate fi remodelat.
7. Zonele neincalzite sunt echipate cu tub din otel inoxidabil. Dupa introducere, zonele din otel inoxidabil ar trebui sa fie proiectate la distanta de cca. ¾ din lungimea lor fata de piesa.
8. Din motive termo-tehnice, o placa izolatoare sau un invelis de otel este recomandata pentru montarea rezistentelor tubulare.
9. La conectarea la pinurile filetate, cuplul fortei in momentul fixarii nu trebuie sa depaseasca 3 Nm.
10. La conectarea firelor electrice trebuie folosite conductoare rezistente la temperaturi.
11. **Atentie:**
Rezistentele devin foarte fierbinti in timpul functionarii.
Pericol de arsuri!

Installation tips:

1. Because of the construction and the materials chosen for flexible tubular heaters thermal strain are of little significance for the bending process.
2. Make an insertion groove according to our drawing. Avoid creating any sharp edges on the insertion groove, thereby preventing any damage to the outer shell of the tubular heaters. Should the outer metal meshwork be damaged in any way this does not necessarily impair the function.
3. The tubular heaters are marked in the middle so that insertion in to the groove begins from this point.
4. We recommend using a rubber hammer to bend the tubular heater.
5. In the middle the minimum bending radius is 14 mm.
6. 10 mm beyond the point where the tube is pressed on the tubular heater is rigid and cannot be reshaped.
7. The unheated zones are fitted with stainless steel tube. After insertion the stainless steel areas should project from the tool by approx. ¾ of their length.
8. For thermo technical reasons an insulation plate or a steel cover is recommended for mounting the tubular heaters.
9. When connecting to the threaded pins the torque for fixing the nut should not exceed 3 Nm.
10. Heat-resistant wires should be used for electrical connections.
11. **Attention:**
The heaters become very hot during operation.
Risk of burns!