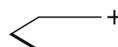


**Termocuplu,
Conectare cu filet**

S5401/ 1 (86.000.016)

 = Fe-CuNi, Tip J
max. 400 °C

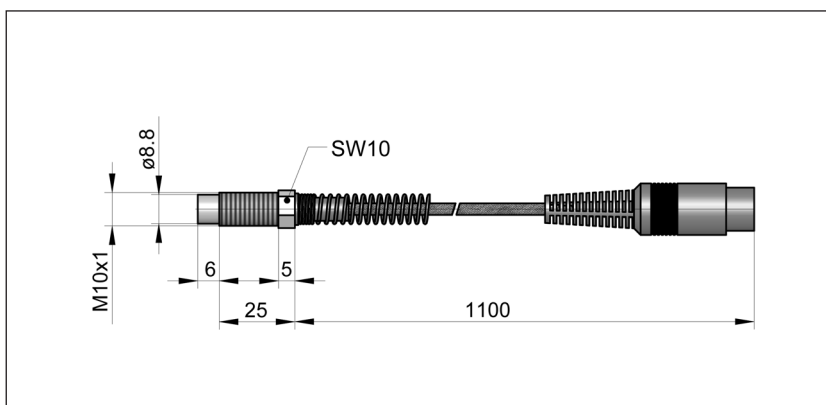
cu conector tip dioda cu 4-pini

Nr. / No.
S5401/ 1

Alte dimensiuni la cerere.

**Thermocouple,
Thread Connection**


with 4-pin diode plug



Other designs on request.

**Termorezistenta,
Conectare cu filet**

S5402/ 1 (86.000.064)

 = 2 x PT 50
max. 400 °C

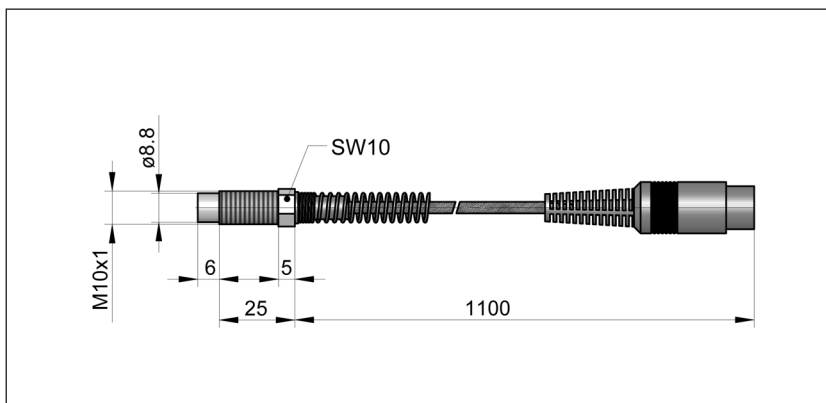
cu conector tip dioda cu 4-pini

Nr. / No.
S5402/ 1

Alte dimensiuni la cerere.

**Resistance thermocouple
Thread Connection**

with 4-pin diode plug



Other designs on request.