

Termocuplu in manson de alama

INFO

S5425/ ... (86.000.066)

lesire: dreapta

S5426/ ... (86.000.005)

lesire: inclinat la 30°

⎯⁺ = Fe-CuNi, Tip J
max. 400 °C

- Manson alama, **S** = 0,5 sau 1,0mm
- Pentru montarea sub rezistenta colier
- Grosimea „**S**”, diametrul „**D**”, si latimea „**B**” dupa cerere
- lesire pana la 38mm „**B**” de la margine
de la 38mm „**B**” de la mijloc
- Cablu de iesire cu izolatie din fibra de sticla,
cu armatura din otel zincat

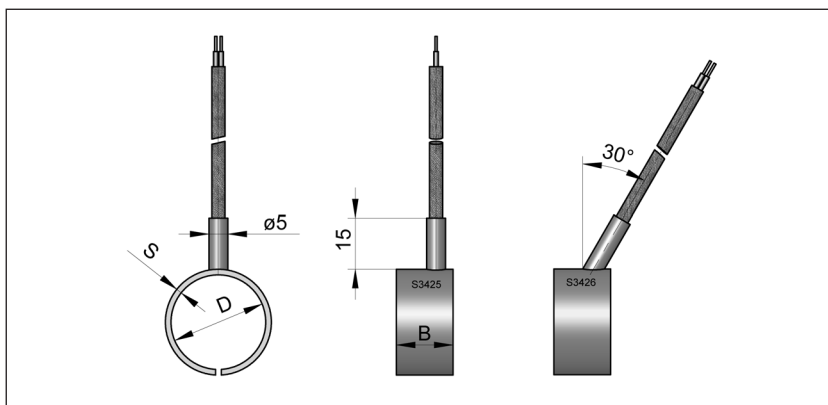
Collar Brass Thermocouple

INFO

Exit: straight

Exit: sloping 30°

- Collar brass, **S** = 0,5 or 1,0mm
- For placing underneath band heaters
- Thickness „**S**”, diameter „**D**”, and width „**B**” as required
- Exit up to 38mm „**B**” at the edge
more than 38mm „**B**” central
- Extension cable fibreglass insulated, armouring
galvanized steel wires



Nr. / No.	S5425/ ...	S5426/ ...
Termocupluri Thermocouples	1	
lesire (EL) Exit (EL)	dreapta straight	inclinat la 30° sloping 30°
Cablu de conectare Extension cable mm	2000	
Posibilitate Potential	impamantare grounded	
Conector Plug	fara without	