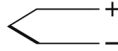


**Termocupluri, 90°,
fixare cu file**

S5445/ 6 (86.000.063)

 = Fe-CuNi, Tip J
max. 400 °C

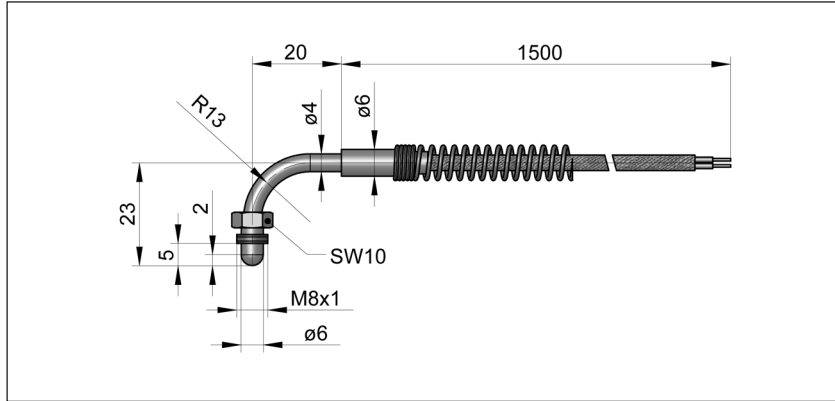
fara conector

Nr. / No.
S5445/ 6

Alte dimensiuni la cerere.

**Thermocouple, 90°,
screwing connection**


without plug



Other designs on request.

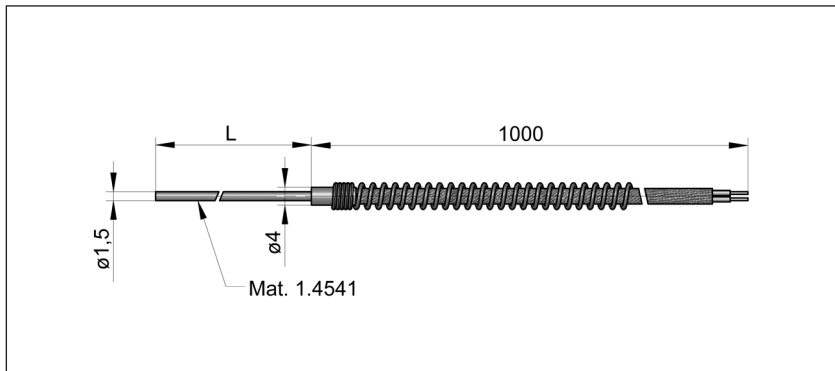
**Termocuplu, cilindric,
flexibil, comprimat**

S5450/ ... (86.000.067/75)

 = Fe-CuNi, Tip J
max. 800 °C

fara conector

without plug



L	Nr. / No.
90	S5450/ 90
150	150
240	240

Alte dimensiuni la cerere.

Other designs on request.