

**Elemente de blocare,
 montare laterala, lubrifiere automata**

**Locking Unit,
 Side Mounting, Self-lubricating**

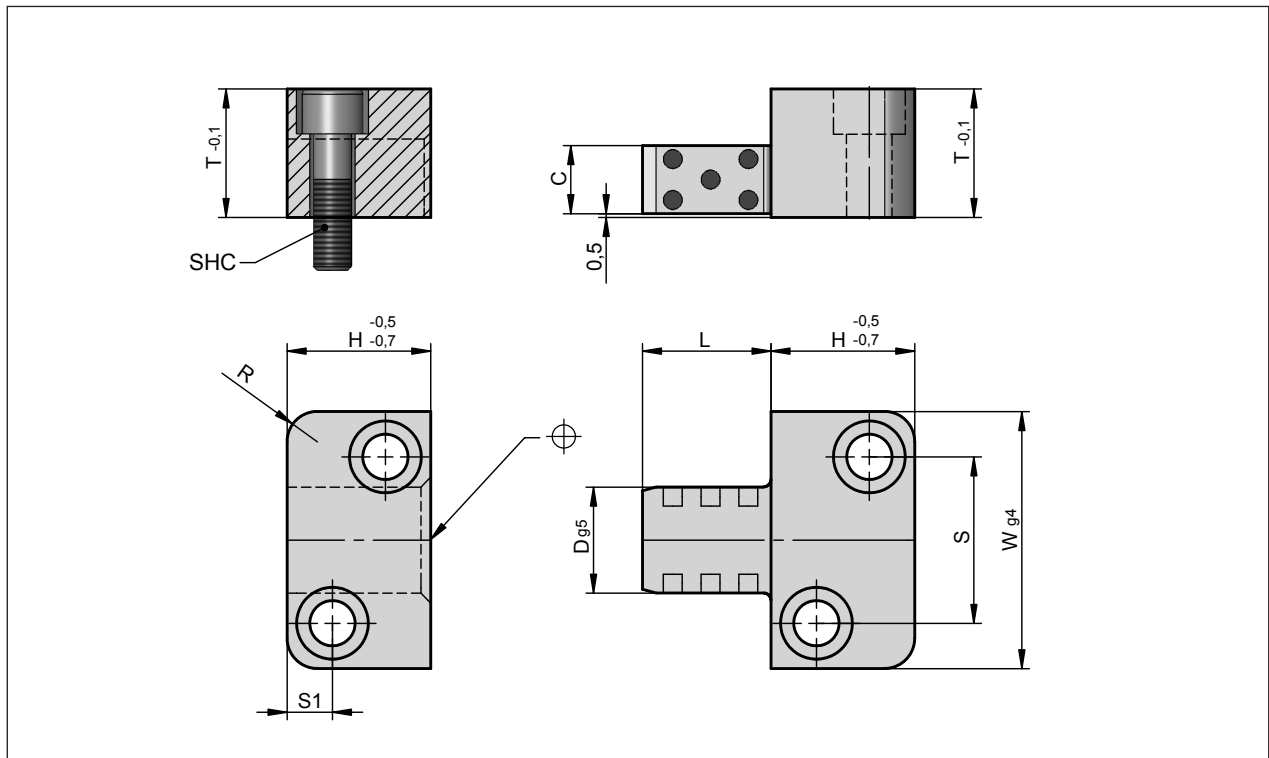
S1160/ ... (SLPM ...)

- Material: Otel special
- Duritate: 56 - 60 HRc

- Material: Special tool steel
- Hardness: 56 - 60 HRc

Sunt incluse 4 suruburi (SHC) la livrare

4 socket head cap screws (SHC) are included



D	L	T	W	C	H	S1	S	R	SHC	Nr./No.
16	20	20	40	11	22	7	26	6	M6x25	S1160/ 16x20
	40									16x40
20	25	22	45	13	27	7	31	6	M6x25	S1160/ 20x25
	50									20x50
25	32	25	50	14	36	9	35	8	M6x30	S1160/ 25x32
	63									25x63
32	40	32	63	19	46	11	45	8	M8x33	S1160/ 32x40
	80									32x80
40	50	36	85	22	56	15	60	10	M10x40	S1160/ 40x50
	100									40x100
50	56	40	100	24	66	18	74	10	M12x45	S1160/ 50x56
	112									50x112