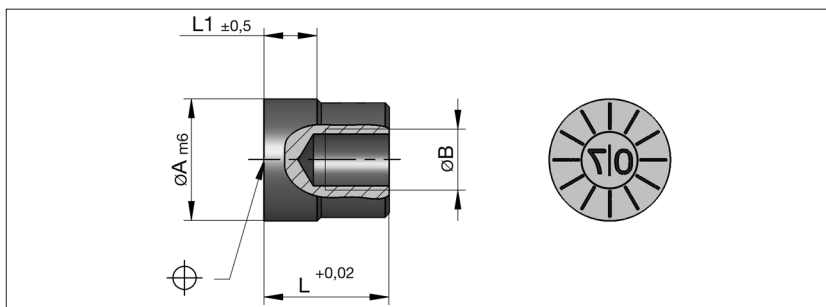


Insertie data pentru stante

Date Insert for Die Casting Dies

S2120/ ... (DAP- ...)

Material: 1.4021 / 48 - 50 HRc



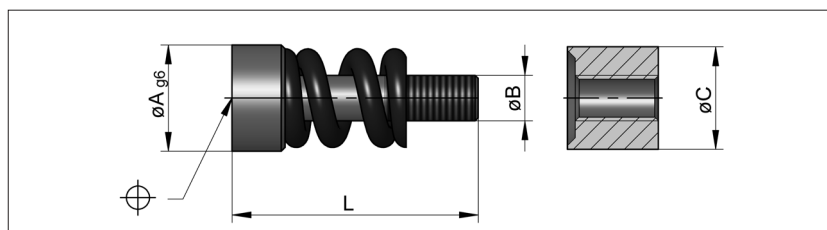
A	B	L	L1	Nr. / No.
5	M3	10	4	S2120/ 5
6	M4			6
8				8
10	M5	12	5	10
12	M6	14	6	12
16		16		16
20				20

Insertie sageata

Arrow Insert

S2125/ ... (II- ...)

Material: 1.4021 / 50 - 55 HRc



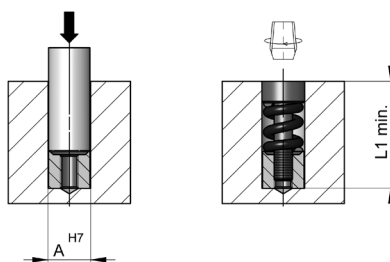
A	B	C	L	L1	Nr. / No.
6	M3x0,35	5,9	10	10	S2125/ 6
8	M4x0,35	7,9	14	14	8
10		9,9			10

Instructiuni de montare:

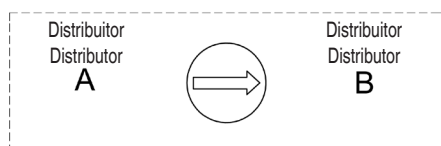
- ① Prelucrati gaura.
- ② Impingeti inaptriu insertia filetata, cu gulerul in sus.
- ③ Pozitionati insertia printr-o lovitura usoara.
- ④ Insurubati insertia sageata cu arc, reglati in pozitia necesara.

Mounting instructions:

- ① Machine locating hole.
- ② Push in threaded insert with collar upwards.
- ③ Position the insert using a punch.
- ④ Screw in arrow insert with spring, set into required position.



Exemplu de aplicare:



Application example:

