

Elemente de racire cu fixare, plate

INFO

S3118/ ... (RLA ...)

Material: Otel inoxidabil

Caracteristici:

- Instalare rapida a elementelor de racire plate in miezuri
- Asamblare sigura, chiar si in gauri supradimensionate
- Dezasamblare usoara pentru intretinere
- Reutilizabil

S3118 este mentinut in pozitie in gaura de un arc special.

Auto-Locking Cooling Element, Flat

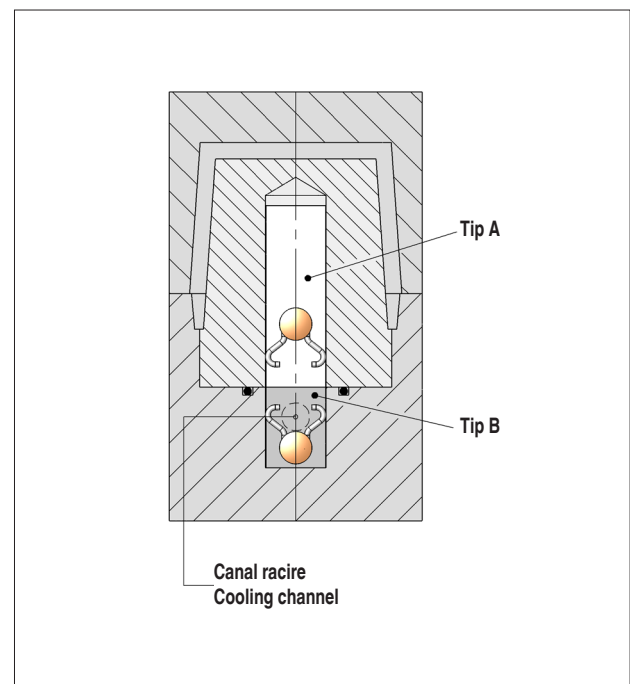
INFO

Material: Stainless steel

Characteristics:

- Fast installation of core cooling with flat elements
- Secure assembly even in oversized bore holes
- Easy disassembly for maintenance
- Reusable

S3118 is kept in position in the bore hole by a special spring-element.

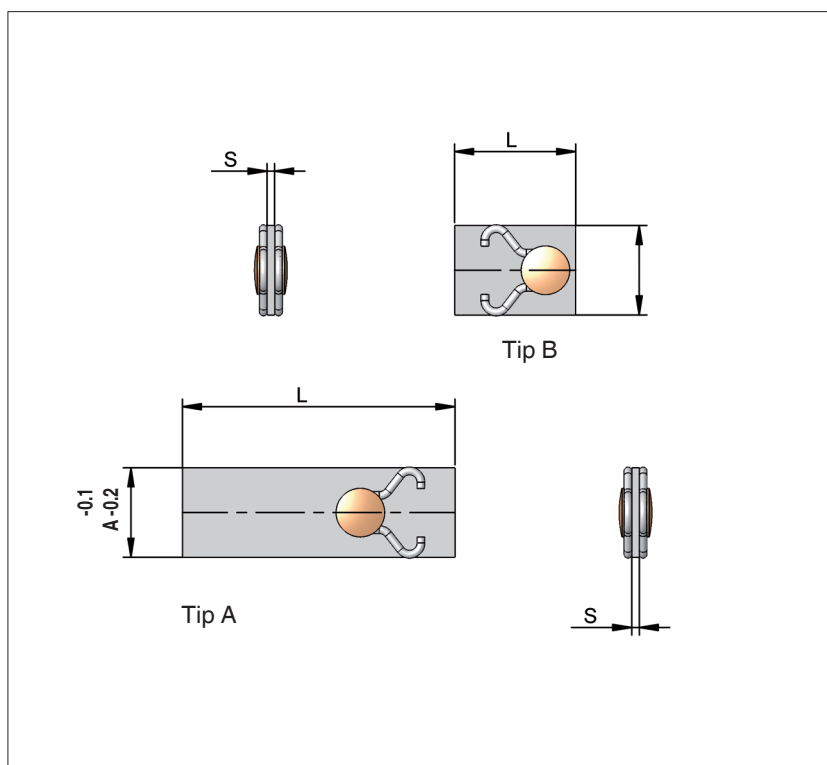


Elemente de racire
cu fixare, plateAuto-Locking
Cooling Element, Flat

S3118/ ... (RLA ...)

Material: Otel inoxidabil

Material: Stainless steel

Pentru instrumente de bro sare
vedeti pagina 7.24For broaching tool
see page 7.24

A	S	L (Tip A)	L (Tip B)	Nr. / No.
10	1	-	18	S3118/ 10 x 18
		100	-	100
		200	-	200
12	1	-	20	S3118/ 12 x 20
		100	-	100
		200	-	200
14	1	-	22	S3118/ 14 x 22
		100	-	100
		200	-	200
16	1	-	24	S3118/ 16 x 24
		150	-	150
		300	-	300
20	1	-	26	S3118/ 20 x 26
		150	-	150
		300	-	300
25	1	-	28	S3118/ 25 x 28
		150	-	150
		300	-	300
Alte dimensiuni la cerere!		Other dimensions on request!		