

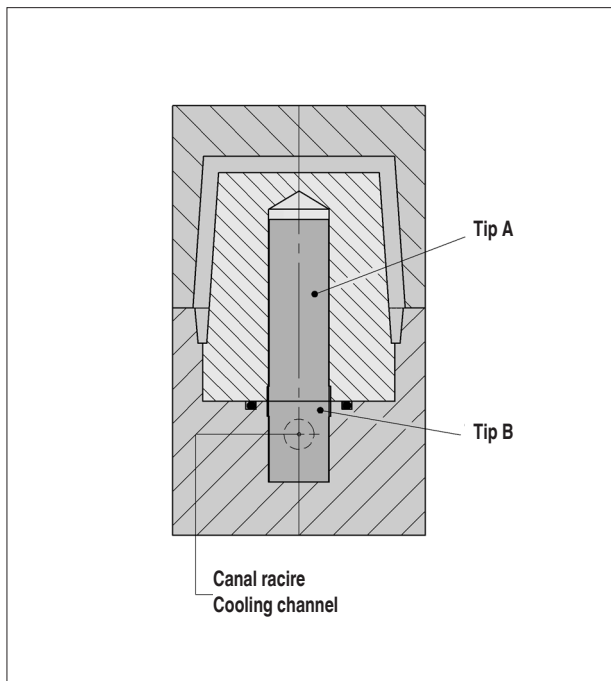
Elemente de racire cu fixare, plate

INFO

S3119/ ... (RLA ... SM)

Instructiuni de instalare:

1. Stabiliti locatia gaurii si fixati instrumentul de bro sare in masina de gaurit.
2. Centratii instrumentul de bro sare (ex. 6 mm) si introduceti in gaura.
3. Acum ajustati marginile de taiere a instrumentului de bro sare.
4. Apoi prin scaderea axului masinii de gaurit, introduceti cu atentie slotul de localizare (nu porniti masina de gaurit!).



Auto-Locking Cooling Element, Flat

INFO

Mounting instructions:

1. Establish location hole and clamp broaching tool into drilling machine.
2. Centring of broaching tool (i.e. 6 mm) insert into the borehole.
3. Now adjust cutting edges of the broaching tool.
4. Afterwards plunge the positioning-slots by lowering the spindle of the drilling machine (do not switch-on the drilling machine!).

