

Instrument de brozare

Broaching Tool

S3125/ ... (UTB...)

Instrumente de brozare pentru pozitionarea sloturilor elementelor de racire **S3118, S3119, S3120** si **S3121**.

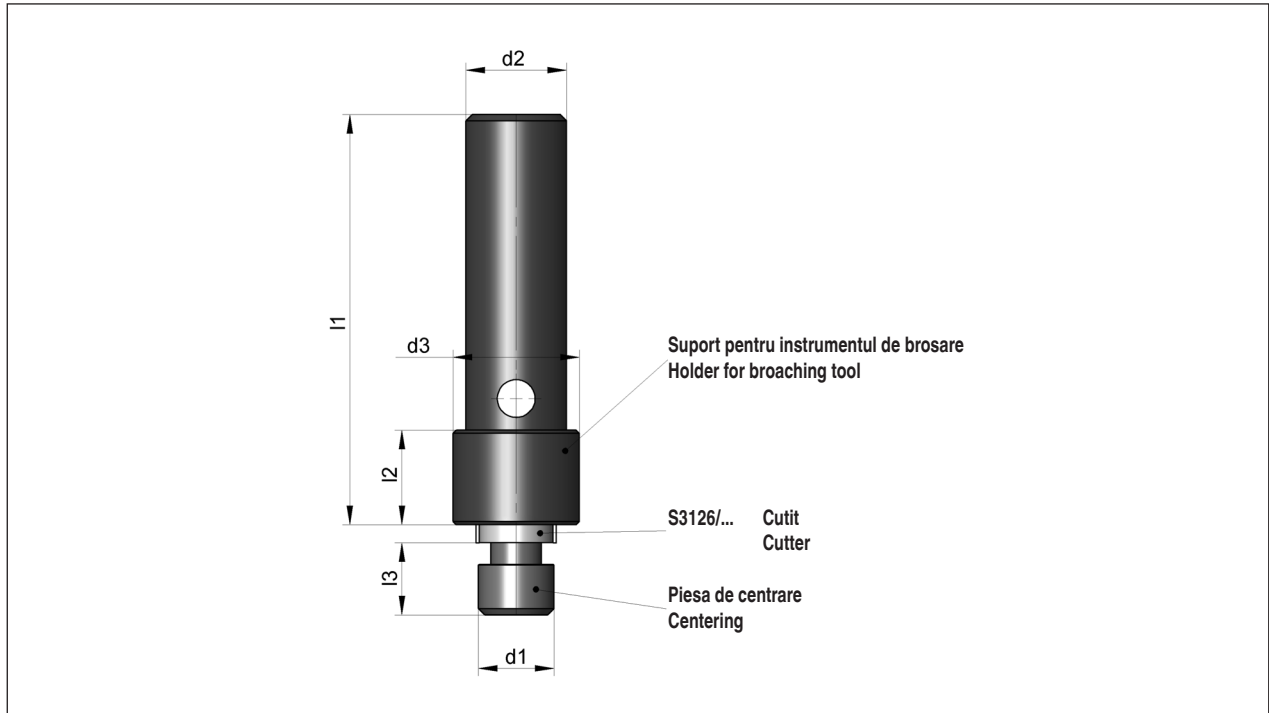
Broaching tools for positioning slots of cooling elements **S3118, S3119, S3120** and **S3121**.

Inclus in pachet:

Suport instrument brozare, cutit, piesa centrare

Delivery:

Broaching tool-holder, cutter, centering



A	d1	d2	d3	l1	l2	l3	Nr. / No.	
8	7,9	16	-	65	-	9	S3125/ 8	
10	9,9		20		15		11	10
12	11,9							12
14	13,9						14	
16	15,9	30		20	13	16		
20	19,9		20					
25	24,6		25					

Cutit

Cutter

S3126/ ... (AR ...)

A	Nr. / No.
8	S3126/ 8
10	10
12	12
14	14
16	16
20	20
25	25