

### Cuplaj, Adaptor

#### S3151/ ...

Cuplaj, la 90°

#### S3152/ ...

Adaptor pentru conectare externa

#### S3153/ ...

Adaptor pentru conectare interna,  $T_{max.} : 70\text{ }^{\circ}\text{C}$

Material: Alama, placat cu nichelina

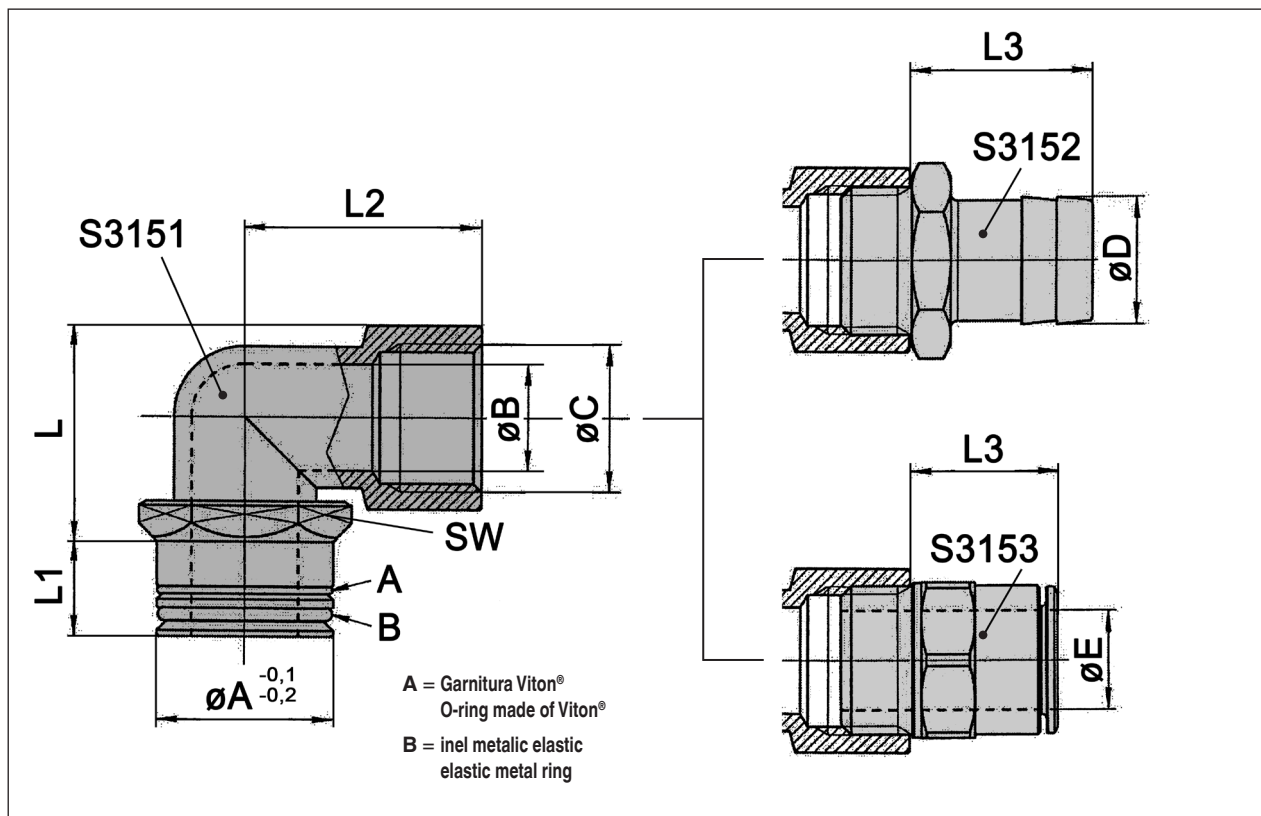
### Connector, Adaptor

Connector, 90°

Adaptor for external connection

Adaptor for internal connection,  $T_{max.} : 70\text{ }^{\circ}\text{C}$

Material: Brass, nickel plated



Set instrumente Tool set	A	B	C	SW	T	L	L1	L2	Nr. / No.
S3173/ 12	12	5,5	G <sup>1</sup> / <sub>8</sub>	13	1	20	12	20	S3151/ 12
16	16	8	G <sup>1</sup> / <sub>4</sub>	17	1,2	25		25,5	16
20	20	11	G <sup>3</sup> / <sub>8</sub>	21		30		31	20
25	25	14	G <sup>1</sup> / <sub>2</sub>	26		36	13,5	35	25

Cuplaj Connector	C	D	L3	Nr. / No.
S3151/ 12	G <sup>1</sup> / <sub>8</sub>	10	25,5	S3152/ 12
16	G <sup>1</sup> / <sub>4</sub>	12	26	16
20	G <sup>3</sup> / <sub>8</sub>	17	27	20
25	G <sup>1</sup> / <sub>2</sub>	18	26	25

Cuplaj Connector	C	E	L3	$p_{max}$ [bar] la/at 70 °C	Nr. / No.
S3151/ 12	G <sup>1</sup> / <sub>8</sub>	8	21	11	S3153/ 12
16	G <sup>1</sup> / <sub>4</sub>	10	22,5	8	16
20	G <sup>3</sup> / <sub>8</sub>	12	24		20
25	G <sup>1</sup> / <sub>2</sub>	14	21,5	6	25