

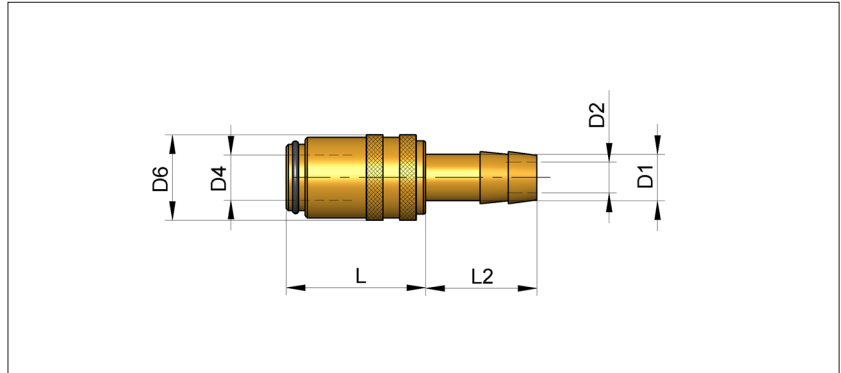
Cuplaj rapid, drept, cu/fara valva

Quick-Release Coupling, Straight, with/without Valve

S3300/ ...

Material: 2.0401 (Alama)

Material: 2.0401 (Brass)



L	L2	D1	D2	D6	D4	Nr. / No. ↺	Nr. / No. ↔
30	22	9	6	18	9	S3300/ 9	S3300/ 9 OV
36,5	25	13	9	23	13	S3300/ 13	S3300/ 13 OV
58	32	19	13	32	19	S3300/ 19	S3300/ 19 OV

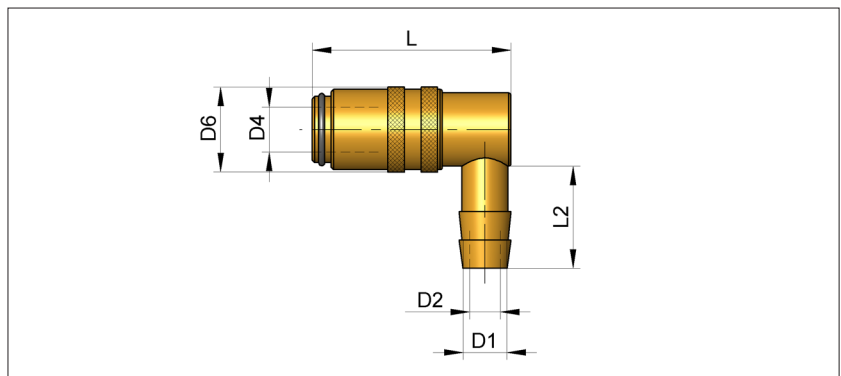
Cuplaj rapid, la 90°, cu/fara valva

Quick-Release Coupling, 90°, with/without Valve

S3305/ ...

Material: 2.0401 (Alama)

Material: 2.0401 (Brass)



L	L2	D1	D2	D6	D4	Nr. / No. ↺	Nr. / No. ↔
41	22	9	6	18	9	S3305/ 9	S3305/ 9 OV
51	28,5	13	9	23	13	S3305/ 13	S3305/ 13 OV
78	32	19	13	32	19	S3305/ 19	S3305/ 19 OV