

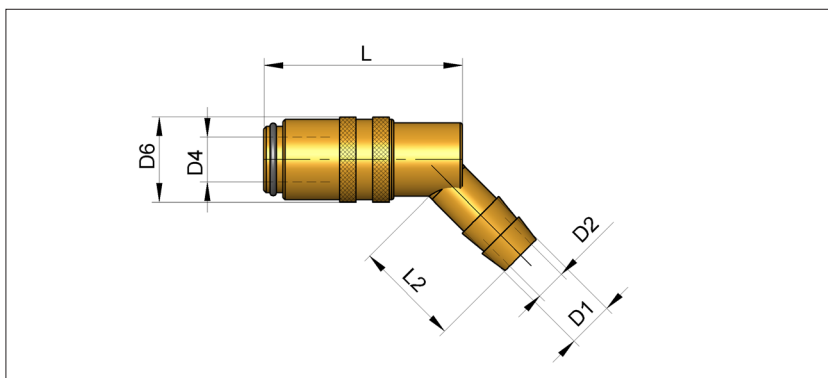
**Cuplaj rapid, la 45°,
cu/fara valva**

**Quick-Release Coupling, 45°,
with/without Valve**

S3310/ ...

Material: 2.0401 (Alama)

Material: 2.0401 (Brass)



L	L2	D1	D2	D6	D4	Nr. / No. ↺	Nr. / No. ↔
41	22	9	6	18	9	S3310/ 9	S3310/ 9 OV
51	25	13	9	23	13	S3310/ 13	S3310/ 13 OV
78	30	19	13	32	19	S3310/ 19	S3310/ 19 OV

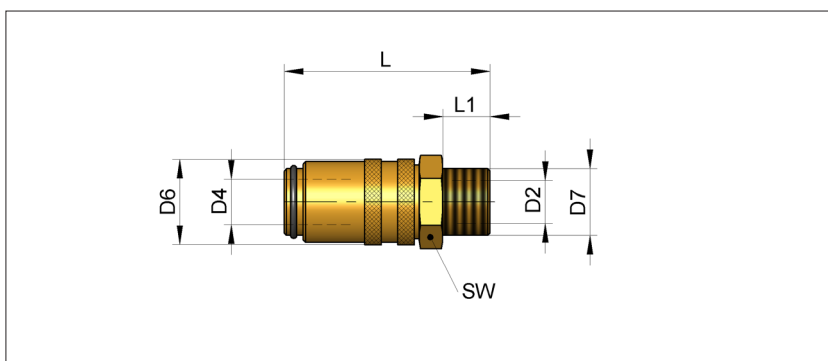
**Cuplaj rapid, drept,
cu/fara valva, cu filet exterior**

**Quick-Release Coupling, Straight,
with/without Valve, Externally Threaded**

S3315/ ...

Material: 2.0401 (Alama)

Material: 2.0401 (Brass)



L	L1	SW	D2	D4	D6	D7	Nr. / No. ↺	Nr. / No. ↔
48	9	17	6	9	18	G1/4	S3315/ 9x1/4	S3315/ 9x1/4 OV
		19				G3/8	3/8	3/8 OV
		17				M14x1,5	M14	M14 OV
51,5	9	22	9	13	23	G1/4	S3315/ 13x1/4	S3315/ 13x1/4 OV
						G3/8	3/8	3/8 OV
						G1/2	1/2	1/2 OV
54,5	12	30	13	19	32	M16x1,5	M16	M16 OV
51,5	9					G1/2	S3315/ 19x1/2	S3315/ 19x1/2 OV
74	12					G3/4	3/4	3/4 OV
78	16	30	13	19	32	M24x1,5	M24	M24 OV