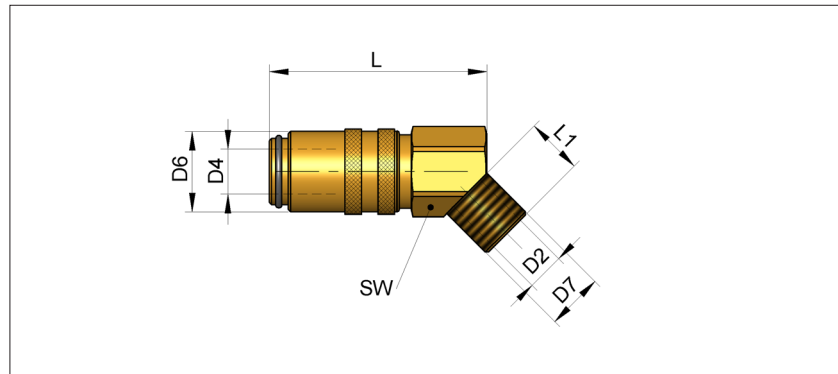


**Cuplaj rapid, la 45°,  
cu/fara valva, cu filet exterior****Quick-Release Coupling, 45°,  
with/without Valve, Externally Threaded****S3330/ ...**

Material: 2.0401 (Alama)

Material: 2.0401 (Brass)



L	L1	SW	D2	D4	D6	D7	Nr. / No. ↺↻	Nr. / No. ↔
47	9	17	6	9	18	G1/4	S3330/ 9x1/4	S3330/ 9x1/4 OV
						M14x1,5	M14	M14 OV
53,5	9	22	9	13	23	M16x1,5	S3330/ 13xM16	S3330/ 13xM16 OV
80	18	30	13	19	32	M24x1,5	S3330/ 19xM24	S3330/ 19xM24 OV