

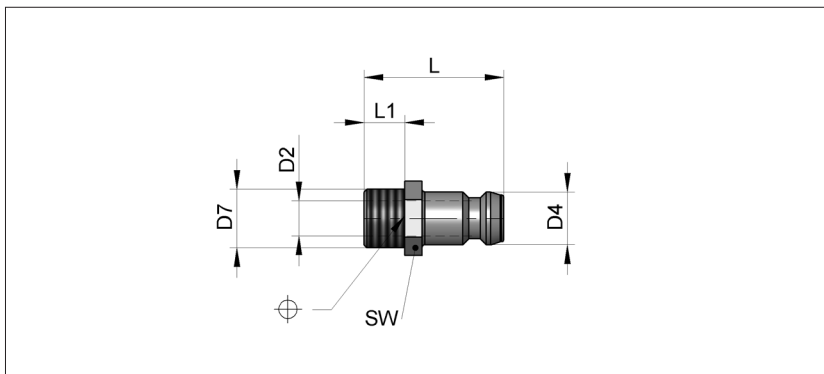
**Niplu cu filet exterior,
fara valva**

**Externally Threaded Nipple,
without Valve**

S3351/ ...

Material: Otel inoxidabil

Material: Stainless steel



L	L1	SW	D2	D4	D7	Nr. / No. ↔
24	7	11	6	9	M8x0,75	S3351/ 9 x M8
					M10x1	M10
					G1/8	1/8
26	9	15	9	13	G1/4	1/4
26	9	15			G1/4	S3351/ 13 x 1/4
		17			G3/8	3/8

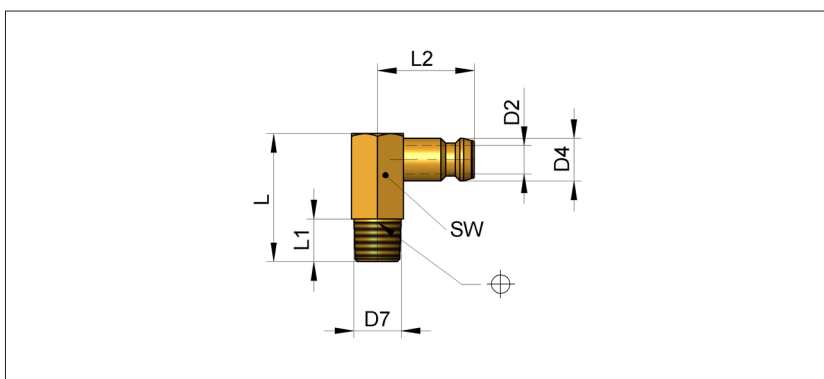
**Niplu cu filet exterior, la 90°,
fara valva**

**Externally Threaded Nipple, 90°,
without Valve**

S3352/ ...

Material: 2.0401 (Alama)

Material: 2.0401 (Brass)



L	L1	L2	SW	D2	D4	D7	Nr. / No. ↔
27	9	23	11	6	9	M8x0,75	S3352/ 9 x M8
						M10x1	M10
						R1/8	1/8
						R1/4	1/4
34	11	25	15	9	13	M14x1,5	S3352/ 13 x M14
						R1/4	1/4
						R3/8	3/8
47	16	42	24	13	19	M24x1,5	S3352/ 19 x M24
						R1/2	1/2