

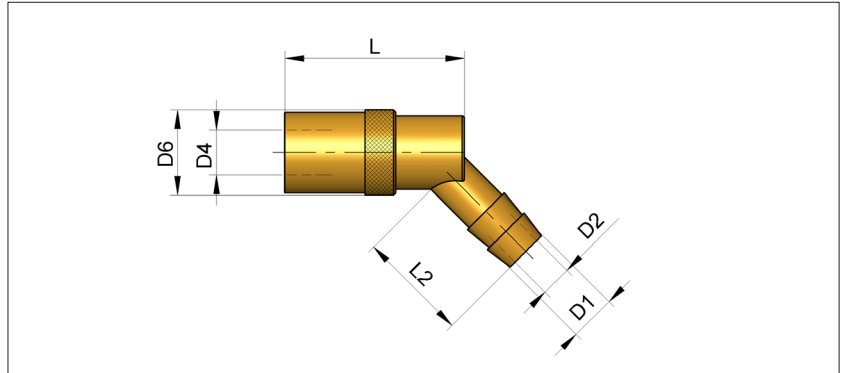
**Cuplaj rapid, la 45°,
cu/fara valva**

**Quick-Release Coupling, 45°,
with/without Valve**

S3410/ ... (VK ... 45 OV)

Material: 2.0401 (Alama)

Material: 2.0401 (Brass)



| L | L2 | D1 | D2 | D6 | D4 | Nr. / No. ↺ | Nr. / No. ↔ |
|----|----|----|----|----|------|----------------|-------------------|
| 40 | 19 | 6 | 6 | 18 | 9,5 | S3410/ 6 x 6 | S3410/ 6 x 6 OV |
| 40 | 22 | 9 | 6 | 18 | 13,5 | S3410/ 9 x 6 | S3410/ 9 x 6 OV |
| 56 | 25 | 13 | 9 | 24 | 13,5 | S3410/ 13 x 9 | S3410/ 13 x 9 OV |
| 77 | 30 | 19 | 16 | 32 | 20 | S3410/ 19 x 16 | S3410/ 19 x 16 OV |

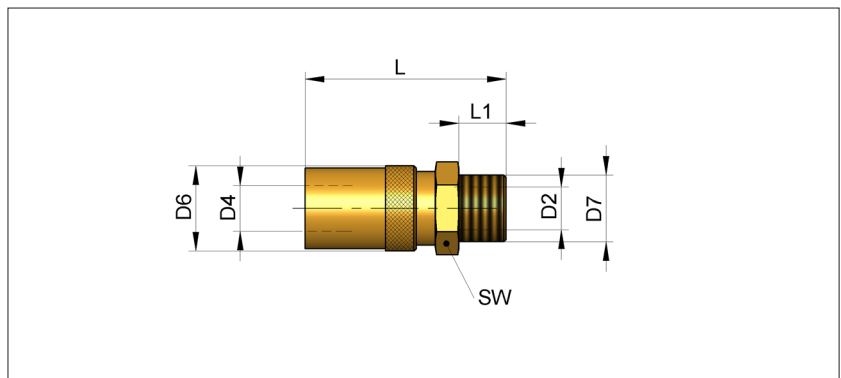
**Cuplaj rapid, drept,
cu/fara valva, cu filet exterior**

**Quick-Release Coupling, Straight,
with/without Valve, Externally Threaded**

S3415/ ...

Material: 2.0401 (Alama)

Material: 2.0401 (Brass)



| L | L1 | SW | D2 | D4 | D6 | D7 | Nr. / No. ↺ | Nr. / No. ↔ |
|------|----|----|----|----|----|------|-----------------|--------------------|
| 47 | 9 | 17 | 6 | 9 | 18 | G1/4 | S3415/ 9 x 1/4 | S3415/ 9 x 1/4 OV |
| | | 19 | | | | G3/8 | 3/8 | 3/8 OV |
| 56,5 | 9 | 22 | 9 | 13 | 24 | G1/4 | S3415/ 13 x 1/4 | S3415/ 13 x 1/4 OV |
| | | | | | | G3/8 | 3/8 | 3/8 OV |
| | | | | | | G1/2 | 1/2 | 1/2 OV |
| 73 | 12 | 30 | 16 | 19 | 32 | G1/2 | S3415/ 19 x 1/2 | S3415/ 19 x 1/2 OV |
| | 16 | | | | | G3/4 | 3/4 | 3/4 OV |