

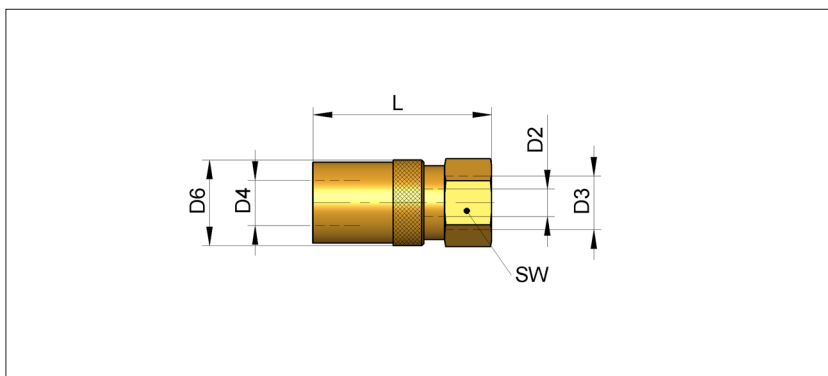
**Cuplaj rapid, drept,
cu/fara valva, cu filet interior**

**Quick-Release Coupling, Straight,
with/without Valve, Internally Threaded**

S3420/ ...

Material: 2.0401 (Alama)

Material: 2.0401 (Brass)



L	SW	D2	D4	D6	D3	Nr. / No. ↺↻	Nr. / No. ↔
40	17	6	9	18	G1/8	S3420/ 9 x 1/8	S3420/ 9 x 1/8 OV
					G1/4	1/4	1/4 OV
44	19	9	13	24	G3/8	3/8	3/8 OV
51,5	21				G1/4	S3420/ 13 x 1/4	S3420/ 13 x 1/4 OV
					G3/8	3/8	3/8 OV

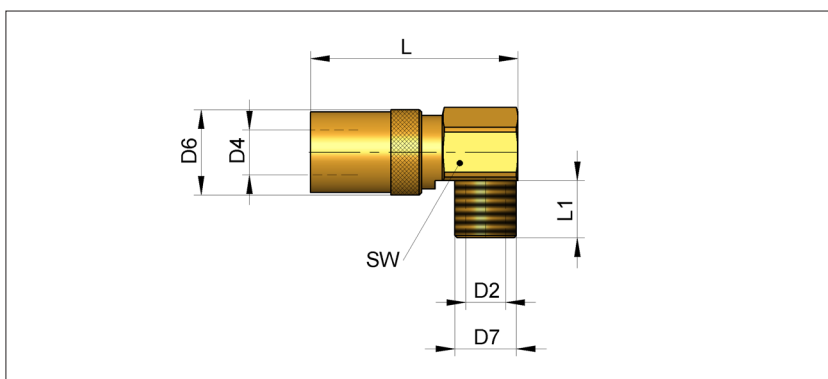
**Cuplaj rapid, la 90°,
cu/fara valva, cu filet exterior**

**Quick-Release Coupling, 90°,
with/without Valve, Externally Threaded**

S3425/ ...

Material: 2.0401 (Alama)

Material: 2.0401 (Brass)



L	L1	SW	D2	D4	D6	D7	Nr. / No. ↺↻	Nr. / No. ↔
46	12	17	6	9	18	G1/4	S3425/ 9 x 1/4	S3425/ 9 x 1/4 OV