

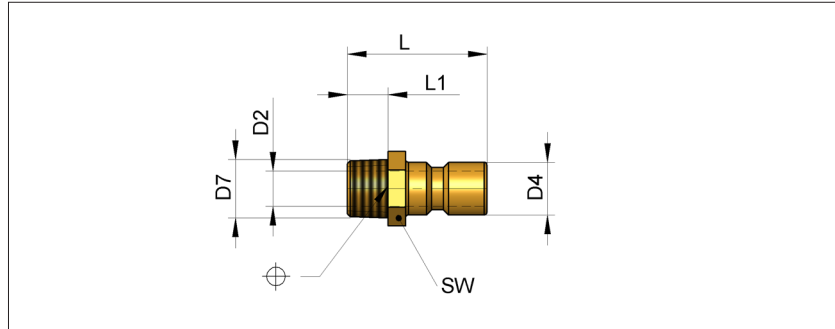
**Niplu cu filet exterior,
cu/fara valva**

**Externally Threaded Nipple,
with/without Valve**

S3450/ ...

Material: 2.0401 (Alama)

Material: 2.0401 (Brass)



L	L1	SW	D2	D4	D7	Nr. / No. ↔	Nr. / No. ↔
23	8	13	6	9	M10x1		S3450/ 9xM10
24	9				R1/8	S3450/ 9x1/8	
29	12	16	9	13	R1/4		S3450/ 9x1/4
	14				R1/4	S3450/ 9x1/4 V	
30	12	19	9	13	R3/8		S3450/ 9x3/8
34	12	16			R1/4	S3450/ 13x1/4 V	S3450/ 13x1/4
		19			R3/8	S3450/ 13x3/8 V	S3450/ 13x3/8
39	17	24	16	19	R1/2		S3450/ 13x1/2
44	17	22			R1/2	S3450/ 19x1/2	
45	19	29			R3/4		S3450/ 19x3/4

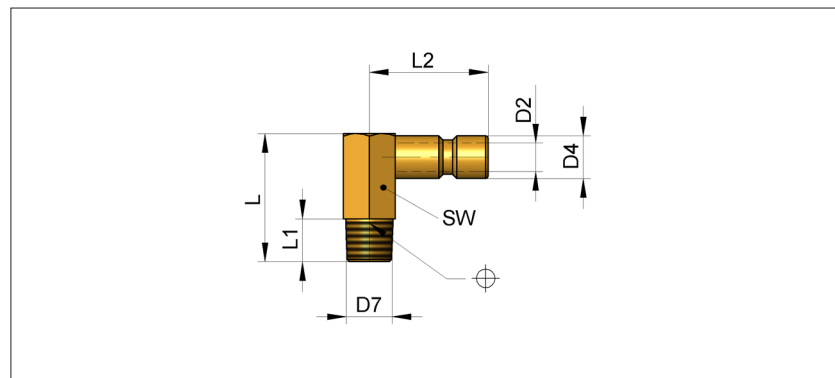
**Niplu cu filet exterior, la 90°,
cu filet exterior, fara valva**

**Externally Threaded Nipple, 90°,
without Valve**

S3452/ ...

Material: 2.0401 (Alama)

Material: 2.0401 (Brass)



L	L1	L2	SW	D2	D4	D7	Nr. / No. ↔
27	9	23	11	6	9	M10x1	S3452/ 9 x M10
						R1/8	1/8
						R1/4	1/4
34	9	25	15	9	13	R1/4	S3452/ 13 x 1/4
						R3/8	3/8