

Furtunuri

S3501/ ... (TSL ...)

Material: PVC, cu insertii Nylon

Culoare: T = transparent
R = rosu
B = albastru

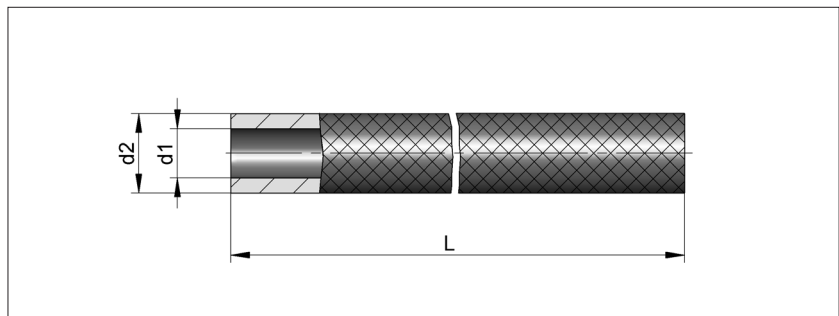
In caz de comanda,
va rugam atasati culoarea dorita la numarul de comanda.

Hose

Material: PVC, Nylon-reinforcement

Color: T = transparent
R = red
B = blue

When ordering,
please attach the color to the order number.



L [m]	d1	d2	p [bar] la/at 20 °C	Nr. / No.
50	9	14	20	S3501/ 9 x .
	13	21	18	13 x .
	16	24	12	16 x .
	19	26		19 x .

Furtunuri

S3502/ ...

Material: Silicon

Culoare: T = transparent
R = rosu
B = albastru

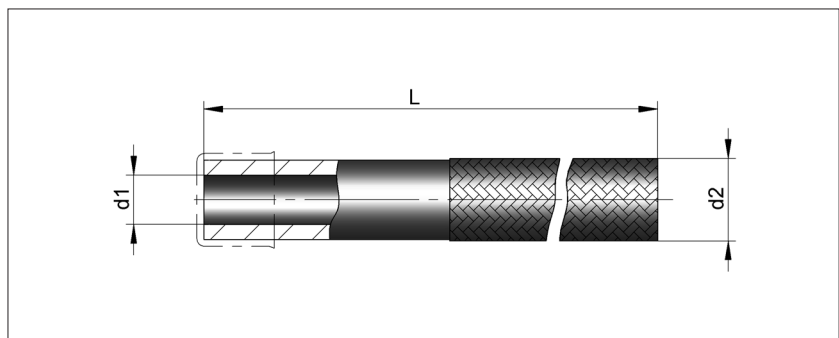
In caz de comanda,
va rugam atasati culoarea dorita la numarul de comanda.

Hose

Material: Silicone

Color: T = transparent
R = red
B = blue

When ordering,
please attach the color to the order number.



L [m]	d1	d2	p [bar] la/at 20 °C	Nr. / No.
25	9	15	15	S3502/ 9 x .
	13	19		13 x .