

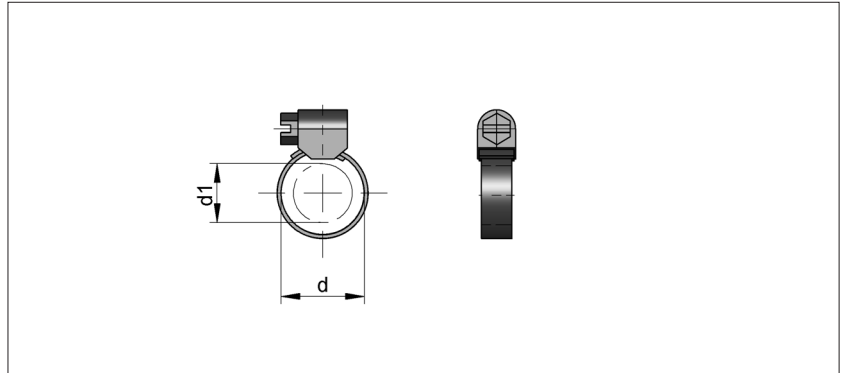
Inel strangere

S3511/ ...

Material: Otel, DIN 3017, zincat

Hose-Clamp

Material: Steel, DIN 3017, zinc-coated



| d | d1 | Nr. / No. |
|-------|----|-----------|
| 8-12 | 8 | S3511/ 8 |
| 10-17 | 10 | 10 |
| 12-22 | 13 | 13 |
| 22-32 | 19 | 19 |

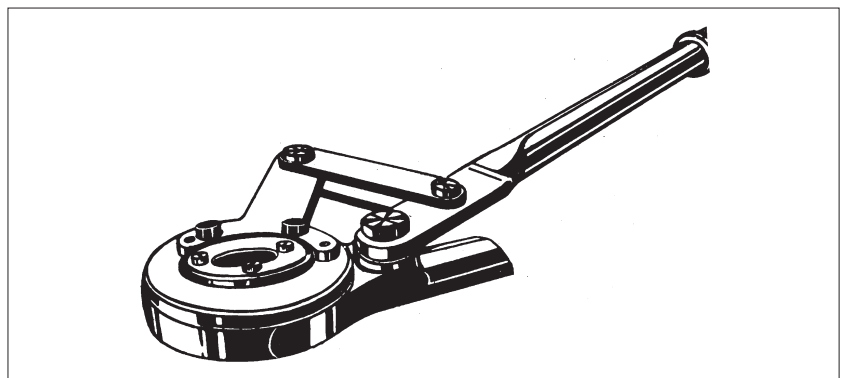
Instrument pentru sertizare

S3512/ ...

Material: Otel

Crimping Tool

Material: Steel



| Nr. / No. |
|-----------|
| S3512/ 1 |