

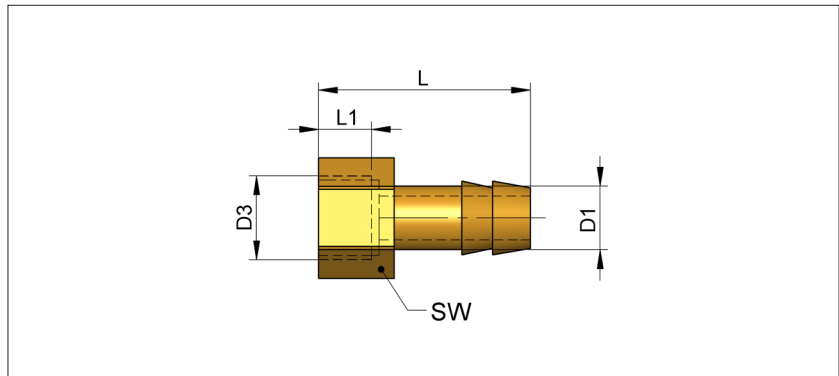
Niplu pentru furtun cu filet interior

S3520/ ...

Material: 2.0401 (Alama)

Hose Nipple with Internal Thread

Material: 2.0401 (Brass)



L	L1	SW	D1	D3	Nr. / No.
33	8	14	9	1/8" BSP	S3520/ 9 x 1/8
		17		1/4" BSP	1/4
32	10			M14x1,5	M14
39	8	17	13	1/4" BSP	S3520/ 13 x 1/4
40	10,5	22		M16x1,5	M16
	8	19	3/8" BSP	3/8	

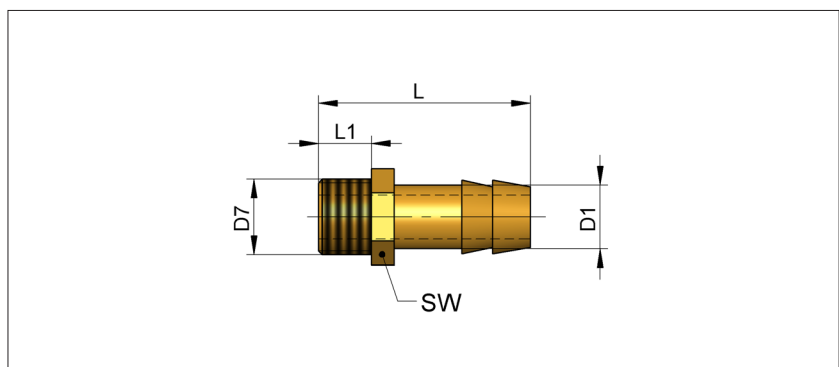
Niplu pentru furtun cu filet exterior

S3521/ ...

Material: 2.0401 (Alama)

Hose Nipple with External Thread

Material: 2.0401 (Brass)



L	L1	SW	D1	D7	Nr. / No.
33,5	7	11	9	M8x0,75	S3521/ 9 x M8
				M10x1	M10
33	9	14	13	1/8" BSP	1/8
35		17		1/4" BSP	1/4
40	9	15	13	M12x1,5	S3521/ 13 x M12
42		17		1/4" BSP	1/4
43	10			M14x1,5	M14
40	9	19	19	M16x1,5	M16
42				3/8" BSP	3/8
56	16	27	19	M24x1,5	S3521/ 19 x M24
54	12	24		1/2" BSP	1/2
60	16	32		3/4" BSP	3/4