

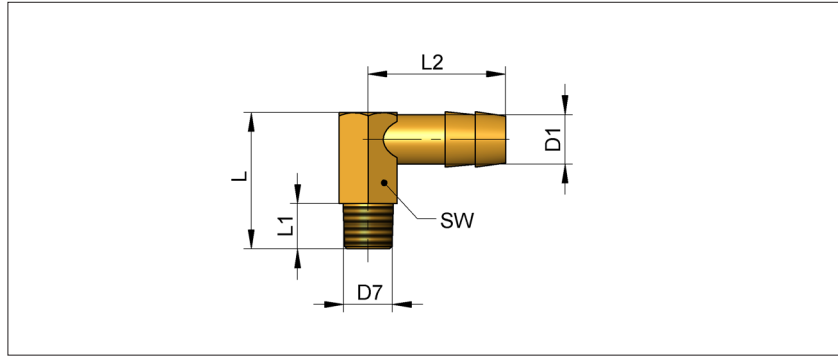
**Niplu pentru furtun, la 90°,
cu filet exterior**

**Hose Nipple, 90°,
with External Thread**

S3522/ ...

Material: 2.0401 (Alama)

Material: 2.0401 (Brass)



L	L1	L2	SW	D1	D7	Nr. / No.
27	9	33,5	11	9	M8x0,75	S3522/ 9 x M8
		28,5			M10x1	M10
34	11	40	15	13	1/8" BSP	1/8
34	11	40	15		1/4" BSP	1/4
35	12	42	17	19	1/4" BSP	S3522/ 13 x 1/4
47	16	58,5	24		M14x1,5	M14
					3/8" BSP	3/8
					M24x1,5	S3522/ 19 x M24
					1/2" BSP	1/2

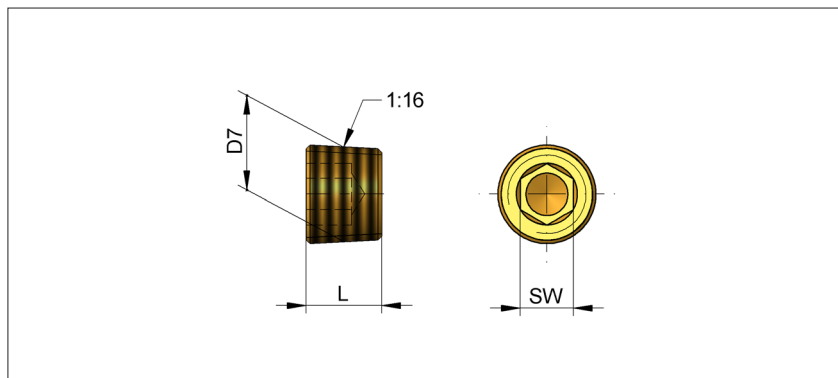
**Dop cu cavitate hexagonala,
cu filet conic**

**Hexagon Socket Pipe Plug,
with Tapered Thread**

S3530/ ...

Material: 2.0401 (Alama)

Material: 2.0401 (Brass)



L	SW	D7	Nr. / No.
8	4	M8x0,75	S3530/ M8
	5	M10x1	M10
	6	1/8" BSPT	1/8
10	7	M12x1,5	M12
	8	1/4" BSPT	1/4
	8	M14x1,5	M14
	10	3/8" BSPT	3/8
	10	1/2" BSPT	1/2