

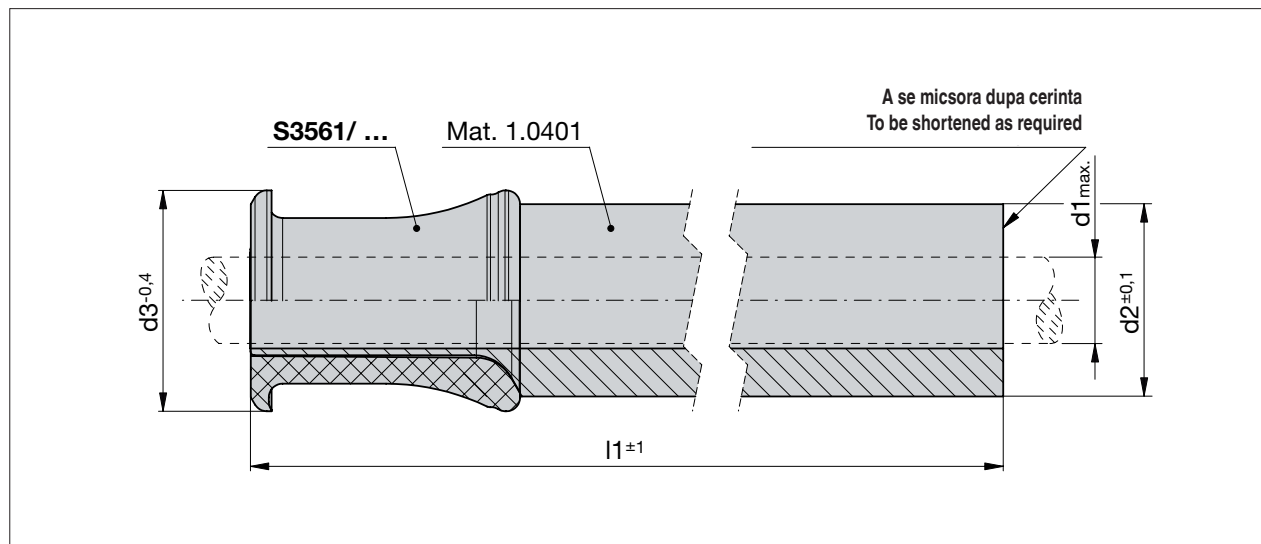
Tub redirectionare

Diverting Tube

S3560/ ...

T_{max.}: 150 °C (Ulei si apa)
Presiune: max. 10 bar

T_{max.}: 150 °C (oil and water)
Pressure: max. 10 bar



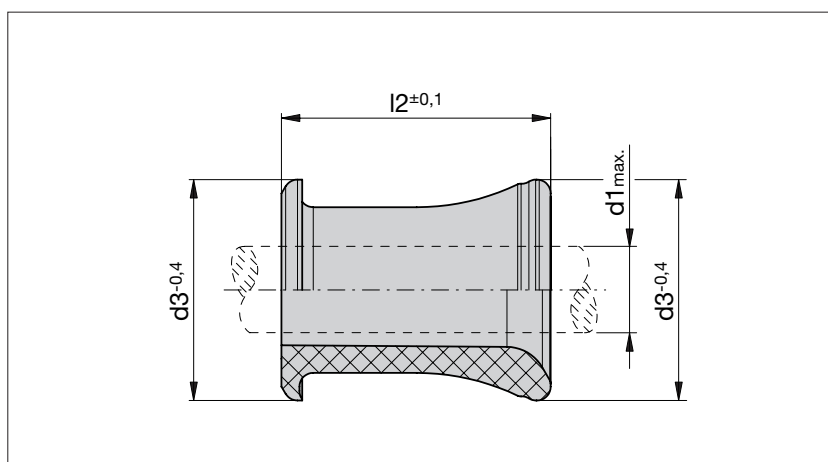
d1 _{max.}	d2	d3	l1	Nr. / No.
4	9	10	102	S3560/ 4
6,5	15	16	100	6,5
12	22	23	150	12

Rola redirectionare

Diverting Reel

S3561/ ...

Material: Viton®



adekvata la unitatea de asamblare suitable assembly unit	d1 _{max.}	d3	l2	Nr. / No.
S3560/ 4	4	10	12,9	S3561/ 4
S3560/ 6,5	6,5	16	19,4	6,5
S3560/ 12	12	23	24,9	12