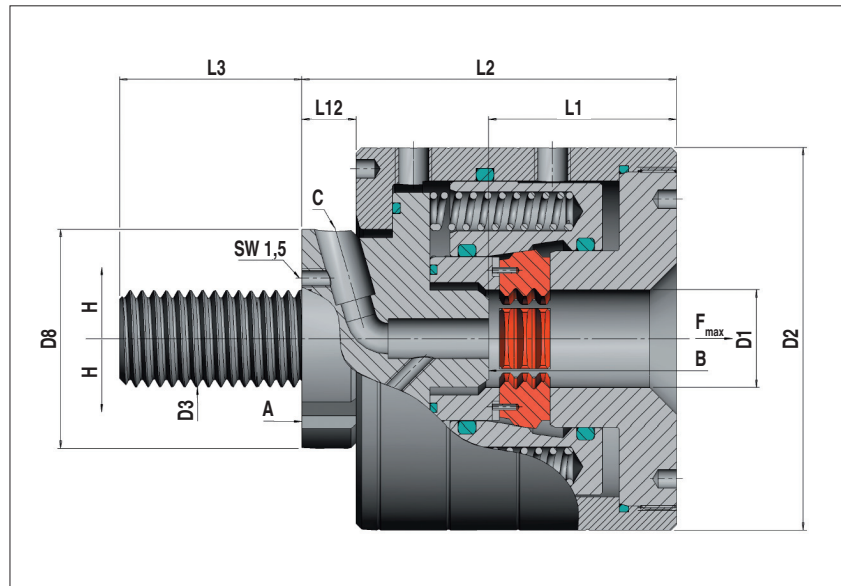


## Dispozitiv pneumatic de cuplare a aruncatoarelor

## Pneumatic Ejector Coupling Device

**S6110/ ... (Pn 1680 ...)**


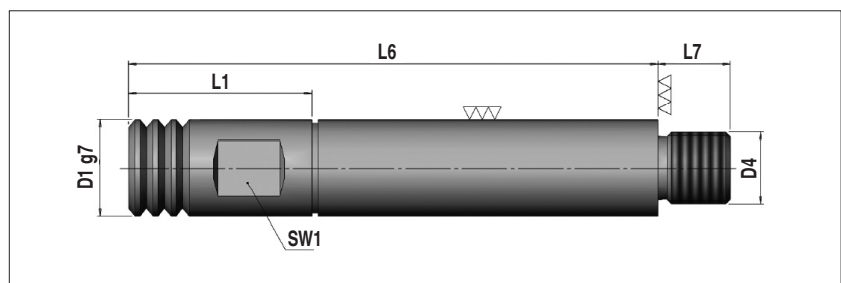
| D1 | D2  | D3  | D8 | L1 | L2  | L3  | H*   | F <sub>max</sub><br>[kN] | Nr. / No.       |
|----|-----|-----|----|----|-----|-----|------|--------------------------|-----------------|
| 16 | 63  | M12 | 36 | 31 | 62  | 25  | 1,25 | 40                       | S6110/ 16 x M12 |
|    |     | M16 |    |    |     | M16 |      |                          |                 |
| 20 | 75  | M16 | 41 | 37 | 70  | 30  | 1,5  | 80                       | S6110/ 20 x M16 |
|    |     | M20 |    |    |     | M20 |      |                          |                 |
| 30 | 93  | M20 | 56 | 45 | 80  | 35  | 1,2  | 120                      | S6110/ 30 x M20 |
|    |     | M24 |    |    |     | M24 |      |                          |                 |
| 40 | 120 | M30 | 71 | 59 | 105 | 40  | 2    | 200                      | S6110/ 40 x M30 |
|    |     | M36 |    |    |     | M36 |      |                          |                 |
|    |     |     |    |    |     | M36 |      |                          |                 |

\* = neconcordanta max.

\* = max. mismatch

## Tija aruncator cu filet

## Ejector Rod with thread

**Pentru dispozitiv pneumatic  
de cuplare a aruncatoarelor**
**For Pneumatic Ejector  
Coupling Device**
**S6111/ ... (Pn 1681 ...)**


| D1 | D4      | L1 | L6  | L7 | SW1 | Nr. / No.       |
|----|---------|----|-----|----|-----|-----------------|
| 16 | M12x1   | 31 | 100 | 12 | 13  | S6111/ 16 x 100 |
|    |         |    | 125 |    |     | 125             |
| 20 | M12x1   | 37 | 115 | 14 | 14  | S6111/ 20 x 115 |
|    |         |    | 140 |    |     | 140             |
| 30 | M16x1,5 | 45 | 140 | 22 | 22  | S6111/ 30 x 140 |
|    |         |    | 170 |    |     | 170             |
| 40 | M20x1,5 | 59 | 175 | 27 | 30  | S6111/ 40 x 175 |
|    |         |    | 220 |    |     | 220             |