

Extractor cu role

INFO

S6260/ . . .

Dispozitivul fara frecare mecanica **S6260/...** folosit pentru miscari in secventa a placilor matritei.

Caracteristici:

- Constructia cu role permite o actionare neteda, fara frecare.
- Fabricare precisa pentru acuratete.
- Role interne calite.
- Prevazut cu un vizor lateral pentru arc, pentru a asista la reglarea pre-sarcinii.
- Durata de viata maxima a arcului este de 1,000,000 cicluri.
- Functia precisa pentru reglarea tensiunii permite o ajustare exacta pe ambele parti ale matritei.

Roller Puller

INFO

Mechanical friction free device **S6260/ . . .** use to sequence plate movement in the mould.

Features:

- Roller design allows for smooth, friction free action.
- Precision manufactured for accuracy.
- Hardened internal rollers.
- Provided with sight window for spring, to assist with pre-load adjusting.
- Maximum spring life up to 1,000,000 mould cycles.
- Precise tension adjustment feature allows for accurate adjustment on both sides of a mould.

Extractor prin frictiune

INFO

S6262/ . . .

Extractoarele noi prin frictiune WEMA **S6262/...** pot fi folosite pentru o tragere uniforma a placilor plutitoare si a insertiilor.

Proiectate pentru a inlocui bolturile, extractoarele prin frictiune initiaza miscarea si utilizeaza frecarea la o anumita setare pentru a elibera placa atunci cand cursa limita este atinsa.

Caracteristici:

- Pentru intretinerea matritelor, inainte de demontarea matritei de pe masina, rotiti cu 3/4 surubul in sensul invers al celor de ceasornic. Acest lucru va permite separarea usoara a placilor.
- Temperatura maxima de functionare este de 120 °C.
- Fixarea include bandaj Nylok® pentru o instalare sigura.
- Hemisfera este placata pentru o lubrifiere suplimentara in timpul reglarii.
- Extractoarele prin fictiune sunt ventilate automat. Ventilare suplimentara nu este necesara cand utilizati gauri infundate
- Sunt disponibile piese de schimb.

Frictional Puller

INFO

WEMA's new Friction Pullers **S6262/ . . .** can be used to uniformly draw floating plates and inserts.

Designed to replace shoulder bolts, the Friction Pullers initiate movement and utilize friction at a particular setting to release the plate when travel limits are reached.

Features:

- For mold maintenance, before removing the mold from the press, rotate the screw counter-clockwise 3/4 turn. This will allow easy separation of plates.
- Maximum operating temperature is 120 °C.
- Fastener includes Nylok® patch for secure installation.
- The hemisphere is plated for additional lubricity during adjustments.
- Friction Pullers are self-venting. Additional venting not required when using blind holes.
- Replacement items are available.

Extractor cu role

Roller Puller

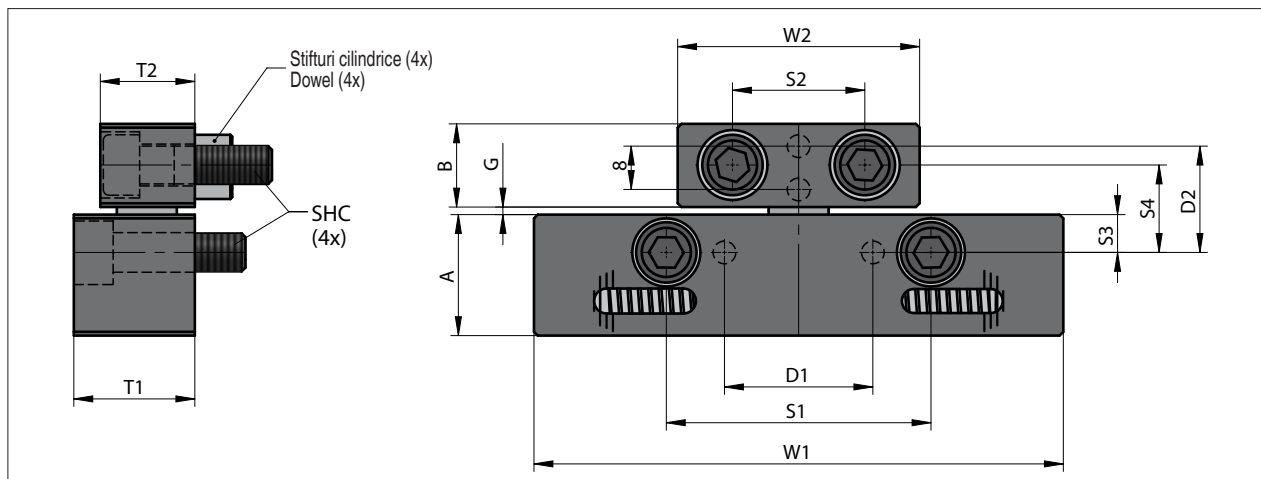
S6260/ ...

Material carcasa: 1.7225, 27 - 33 HRC, oxid negru
 Material role de blocare: 1.3343, 62 - 64 HRC, nitrurat
 Material bara de tragere: 1.3343, 62 - 64 HRC, nitrurat

Material Housing: 1.7225, 27 - 33 HRC, black oxide
 Material Roller: 1.3343, 62 - 64 HRC, nitrided
 Material Pull rod: 1.3343, 62 - 64 HRC, nitrided

Suruburile si stifturile sunt incluse in pachet.

Screws and dowel pins are included in delivery.



W1	T1	W2	T2	A	B	G	S1	S2	S3	S4	D1	D2	Stifturi cilindrice Dowel pin	SHCS	PR	Nr. / No.
135	25	38	25	28	19	1	60	25	7	15,6	30	22,1	Ø5	M6x25	26	S6260/ 135x1
						40									65	135x40
140	32	64	25	32	22	2	70	35	10	23,1	100	28,1	Ø6	M10x35	30	S6260/ 140x2
						40									68	140x40

La cerere tija de tragere (PR) deasemenea poate fi livrat la alte lungimi.

On request, the pull rod (PR) can also be delivered in other lengths.

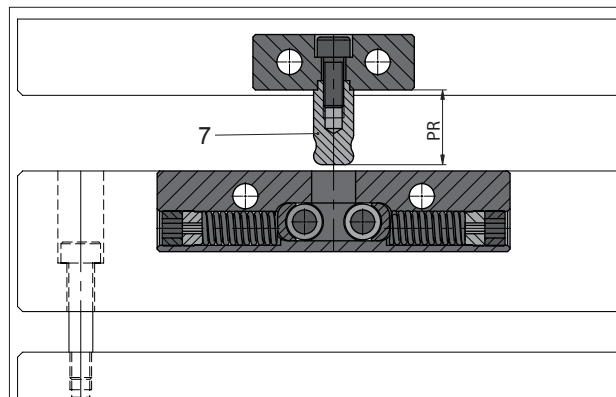
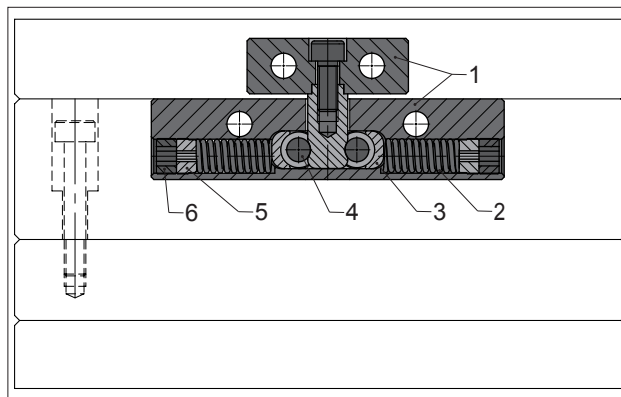
Forța max. de tragere

Max. Pull Force

			Nr. / No.
45 kg	80 kg	120 kg	S6260/ 135x1
			135x40
90 kg	135 kg	180 kg	S6260/ 140x2
			140x40

Matrita inchisa / Mould closed

Matrita deschisa / Mould open



- 1 Carcasa
- 2 Arc
- 3 Carcasa role
- 4 Surub de compresie
- 5 Surub de blocare
- 6 Tija de tragere
- 7 Bara de tragere

- 1 Housing
- 2 Spring
- 3 Roller Housing
- 4 Roller
- 5 Compression Screw
- 6 Lock Screw
- 7 Pull Rod