

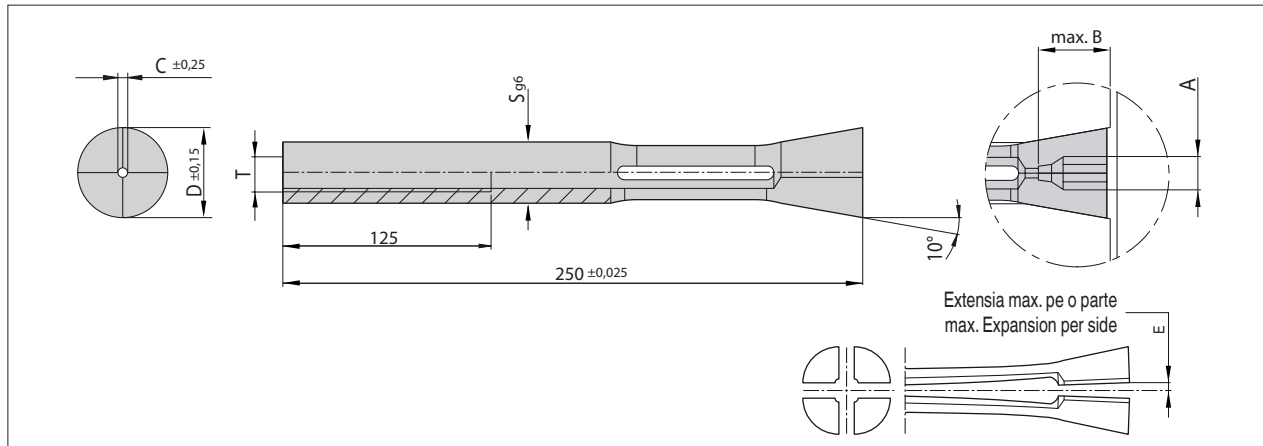
Miez extensibil

Expandable Core

S6315/ ..

Material: 1.4301, 54 +3 HRc
T_{max.}: 260 °C

Material: 1.4301, 54 +3 HRc
T_{max.}: 260 °C



T	S	E	C	B	A	D	Nr. / No.
M8	14	1,6	2,5	13	12	20	S6315/ 20
M10	16	2,5	3,5	20	18	26	26
M18	27	3	4	27	30	38	38
M24	34	3,5	5,5	39	42	50	50

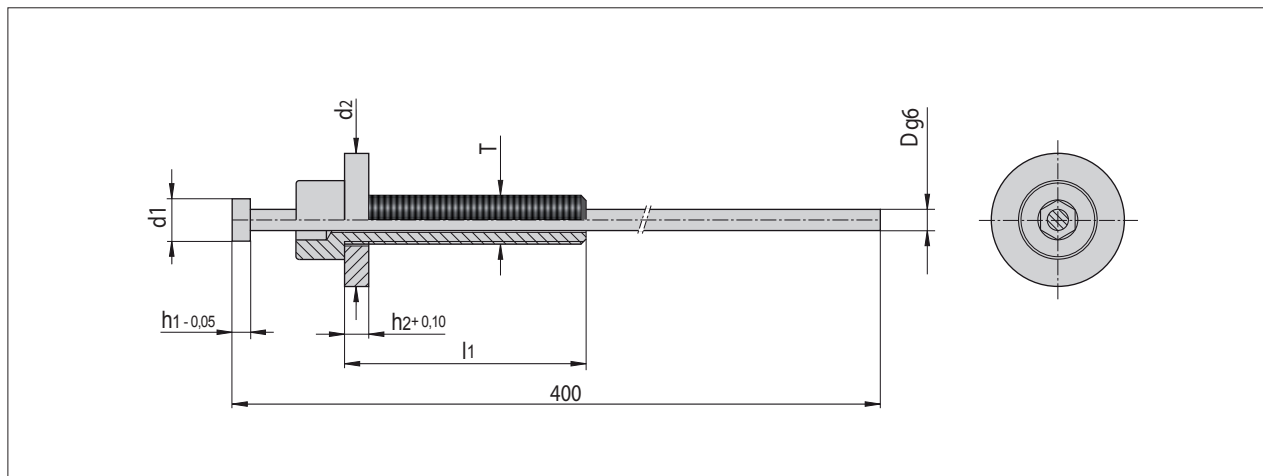
Miez extensibil
Fixare cu surub tubular

Expandable Core
Fixing with Hollow Bolt

S6316/ ..

Material: 1.2344, 40 +4 HRc
Cheia 7 x 8 x 40 inclus in pachet.

Material: 1.2344, 40 +4 HRc
Key 7 x 8 x 40 included in delivery.



pentru/for S6315	d1	d2	h1	h2	l1	T	D	Nr. / No.
S6315/ 20	7	22	3	4	40	M8	3,5	S6316/ 20
26	8	23				M10	4	26
38	16	33	5	6	50	M18	10	38
50	22	42	7		55	M24	14	50

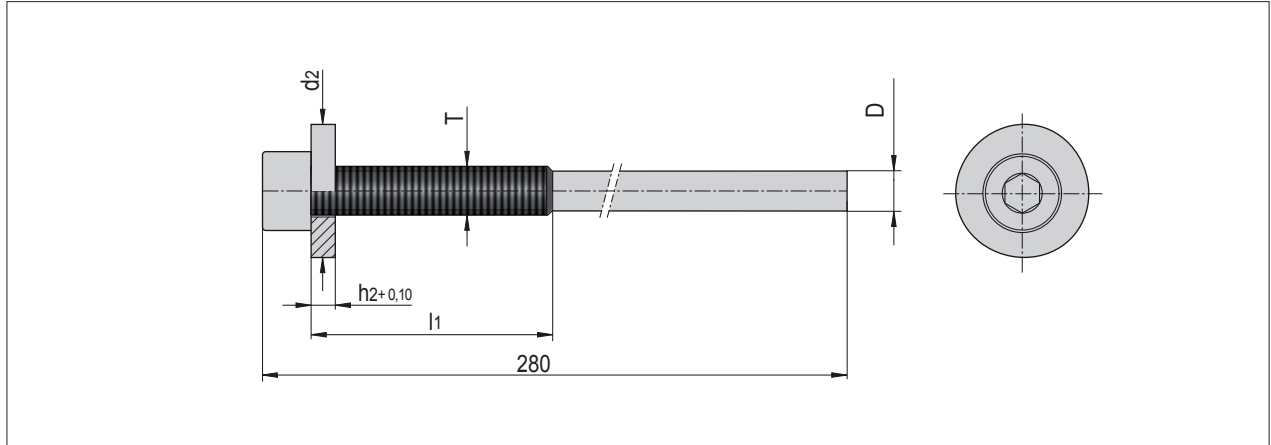
**Miez extensibil
Fixare cu surub cu miez**

**Expandable Core
Fixing with Pin Bolt**

S6317/ ..

Material: 1.2344, 40 +4 HRc
Cheia 7 x 8 x 40 inclus in pachet.

Material: 1.2344, 40 +4 HRc
Key 7 x 8 x 40 included in delivery.



pentru/for S6315	d2	h2	l1	T	D	Nr. / No.
S6315/ 20	22	4	40	M8	5,5	S6317/ 20
26	23			M10	7,5	26
38	33	6	50	M18	14,5	38
50	42			M24	19,5	50

Exemple de aplicatii:

Application examples:

