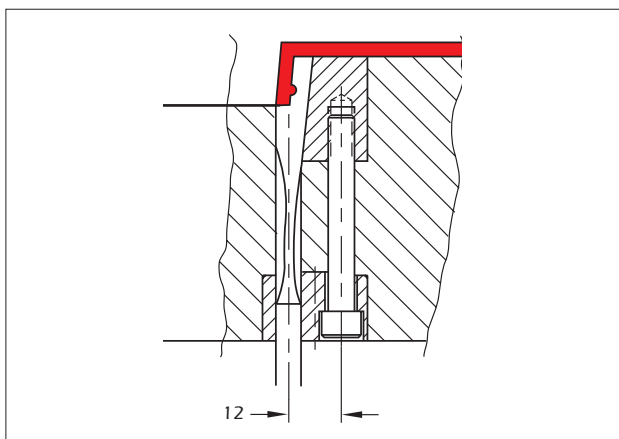


Insertii de uzura

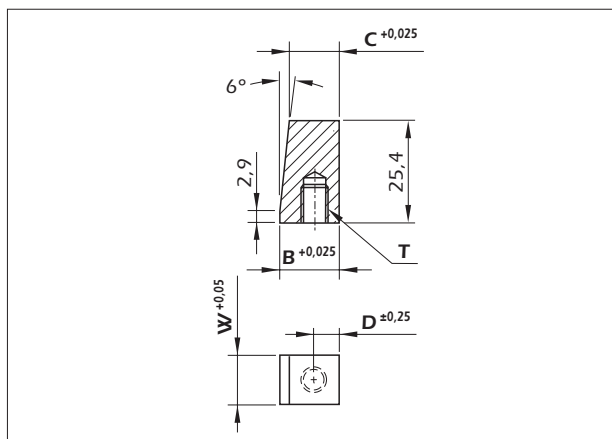
S6355/ ... (FCWBM-...)

Material: 1.2311
Duritate suprafata: 66 - 70 HRc
Duritate miez: 28 - 32 HRc
nitrat, 0,12 mm adancime



Wear Insert

Material: 1.2311
Surface hardness: 66 - 70 HRc
Core hardness: 28 - 32 HRc
nitrided, 0,12 mm deep



 = Nou/New

W	D	B	C	T	Nr. / No.
6,2	7,2	15,9	13,55	M5	S6355/ 6,2
8,2				M6	8,2
10,2					10,2
12,2		12,2			
14,2		15,24	12,12	14,2	
16,2				16,2	

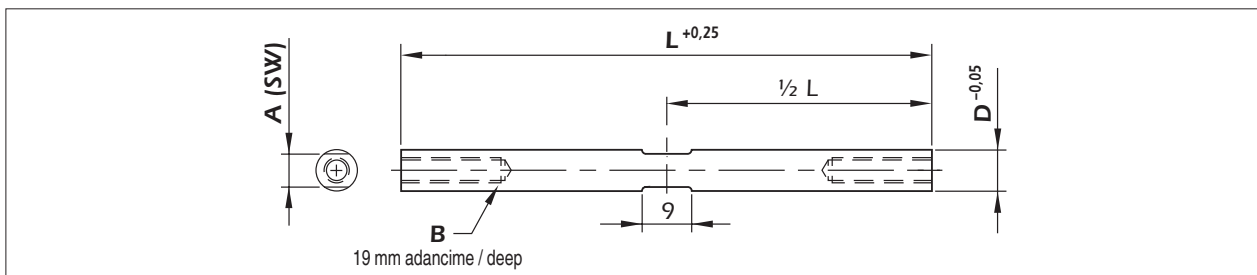
Tija extensie

S6356/ ... (FCXM-...)

Material: 1.7225, nitrat
Duritate: 28 - 32 HRc
Surub filetat pentru extinderea aruncatoarelor flexibile.

Extension Rod

Material: 1.7225, nitrided
Hardness: 28 - 32 HRc
Threaded bolt for extending of flexible ejectors.



D	B	A (SW)	L	Nr. / No.
6	M4	4,8	50	S6356/ M4x50
			100	100
8	M5	6,3	50	S6356/ M5x50
			100	100