

**Aruncator inclinat,
UniLifter®**

INFO

S6370/ ... (CBMM ...), S6371/ ... (CBS ...)

Aruncator inclinat, Forma patrata

S6372/ ... (CBMM ...), S6373/ ... (CBS ...)

Aruncator inclinat, Forma rotunda

S6374/ ... (UCMM ...), S6375/ ... (UC ...)

Racord tip U pentru aruncator inclinat

S6376/ ... (TGMM ...), S6377/ ... (TG ...)

Bara de ghidare tip T pentru aruncator inclinat

**Core blade,
UniLifter®**

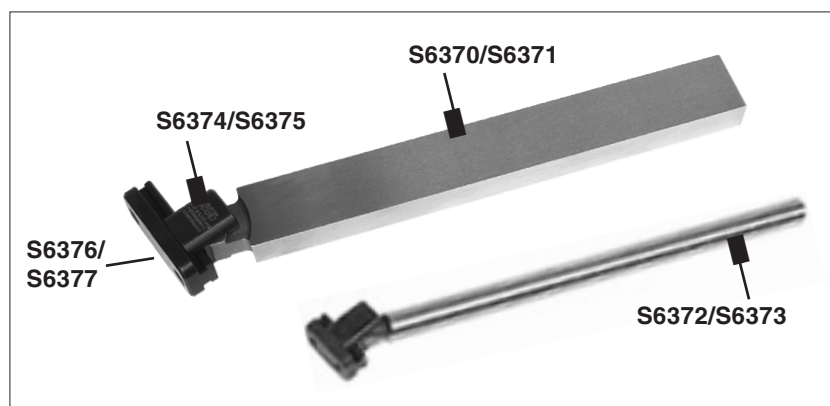
INFO

Slanted Ejector, Square Design

Slanted Ejector, Round Design

U-Coupling, for Slanted Ejector

T-Guide Bar, for Slanted Ejector

**Inclus in pachet:**

1. Aruncator inclinat
2. Racord tip U
3. Bara de ghidare tip T

Va rugam comandati fiecare componenta separat!

Delivery includes:

1. Core blade
2. U-coupling
3. T-guide bar

Please order each component separately!

Cereri pentru aplicatie:

1. Unghiul specific este de 5-10°, desi utilizatorii au instalat cu succes si cu unghiuri mai mari. Contactati departamentul tehnic pentru analiza aplicatiei.
2. Este recomandata folosirea aruncatoarelor cu ghidaj, si daca este mai putin de jumătate a aruncatorului inclinat in insertie, trebuie adaugata o placa de ghidaj suplimentar.
3. Jocul recomandat este de 0,025 pana 0,038 mm, unde este permis.
4. Verificati daca materialul insertiei miezului este de cel puțin 10 HRC, diferit fata de aruncatoarele inclinate standard, si pentru performante suplimentare, se pot aplica straturi si tratamente pentru o duritate mai mare si lubrifiere mai buna.
5. Unghiurile de inchidere pot fi proiectate pentru a suporta presiunea de injectie si dimensiuni non-standard sau aruncatoare inclinate subtiate pot fi deasemenea furnizate.

Application Guidelines:

1. Typical angle is 5-10°, though users report success at greater angles with guides installed. Contact engineering department for application review.
2. Guided ejection is recommended, and if there is less than half of the core blade bearing in the insert, lifter guide plates should be added.
3. Recommended clearance is 0,025 – 0,038mm, where permissible.
4. Verify that the core insert material is at least 10 HRC different from standard core blades, and for additional performance, consider coatings or treatments for increased hardness or lubricity.
5. Locking angles can be designed to accept moulding pressure, and non-standard sizes or pre-roughed core blades can also be provided.

Aruncator inclinat, UniLifter®

INFO

S6370/ ... (CBMM ...), S6371/ ... (CBS ...)

Aruncator inclinat, Forma patrata

S6372/ ... (CBMM ...), S6373/ ... (CBS ...)

Aruncator inclinat, Forma rotunda

S6374/ ... (UCMM ...), S6375/ ... (UC ...)

Racord tip U pentru aruncator inclinat

S6376/ ... (TGMM ...), S6377/ ... (TG ...)

Bara de ghidare tip T pentru aruncator inclinat

Core Blades, UniLifter®

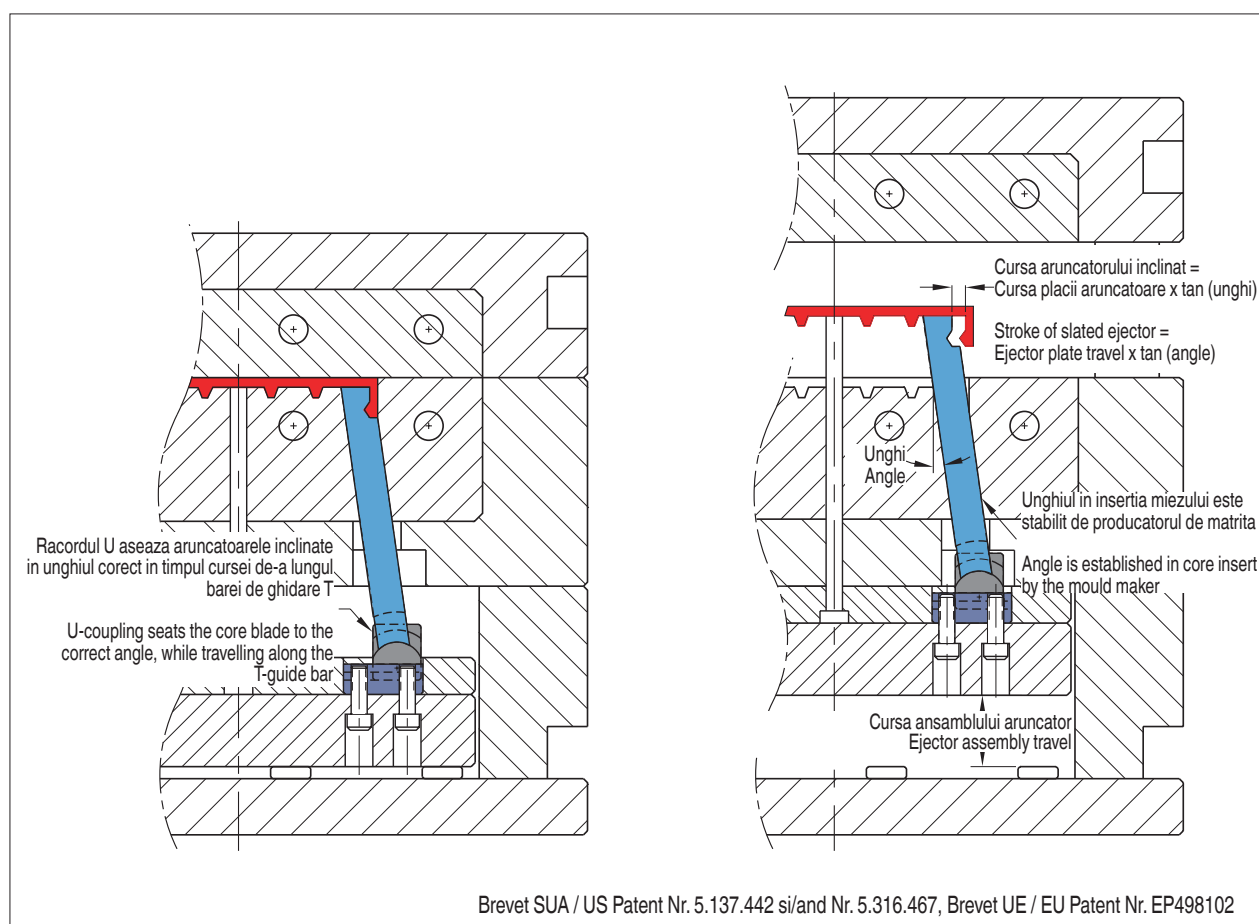
INFO

Slanted Ejector, Square Design

Slanted Ejector, Round Design

U-Coupling for Slanted Ejector

T-Guide Bar for Slanted Ejector



Aruncator inclinat Slanted ejector	adekvat pentru racordul U suitable for U-coupling	adekvat pentru bara de ghidare T suitable for T-guide bar
S6370/ ...	S6374/ 22	S6376/ ...
S6371/ ... (R = .250)	S6375/ 50	S6377/ 50 ...
S6371/ ... (R = .406)	S6375/ 87	S6377/ 87 ...
S6371/ ... (R = .875)	S6375/ 175	S6377/ 175 ...
S6372/ ...	S6374/ 22	S6376/ ...
S6373/ ... (R = .250)	S6375/ 50	S6377/ 50 ...
S6373/ ... (R = .406)	S6375/ 87	S6377/ 87 ...
S6373/ ... (R = .875)	S6375/ 175	S6377/ 175 ...

Aruncator inclinat,
Forma patrata

S6370/ ... (CBMM ...)

Dimensiuni metrice

Material: 1.2344
Duritate: 38 - 42 HRc

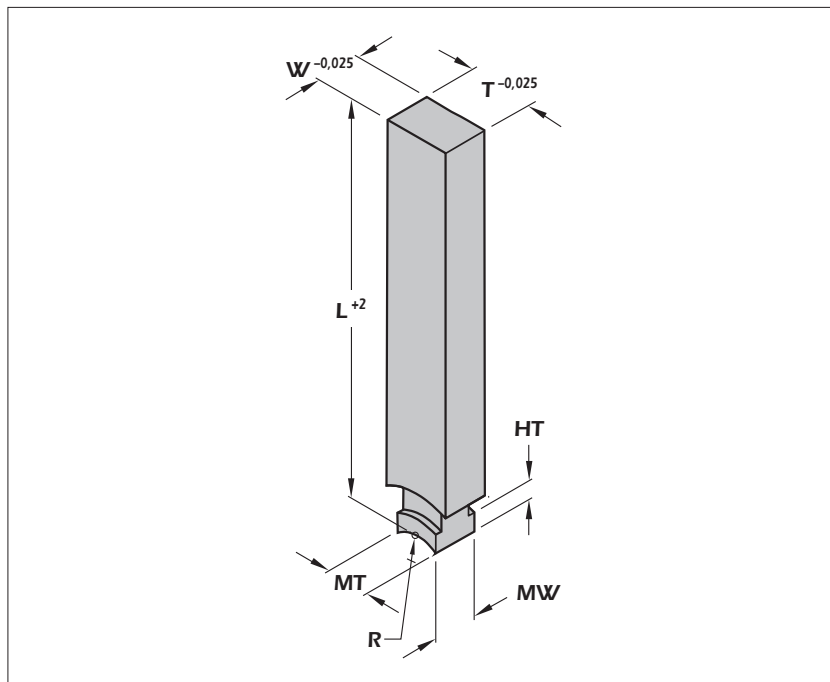
Produse personalizate sunt disponibile la cerere.

Slanted Ejector,
Square Design

Metric dimensions

Material: 1.2344
Hardness: 38 - 42 HRc

Custom-made products are available on request.



MW	R	HT	T	W	L	MT min.	Nr. / No.
10	10	5	10,25	10,25	250	10	S6370/ 10x10x250
				20,25			10x20x250
			15,25	15,25	400	15	15x15x250
				30,25			15x30x400
			20,25	10,25	250		20x10x250
				20,25	400		20x20x400
			30,25	15,25			30x15x400

Aruncator inclinat, Forma patrata

S6371/ ... (CBS ...)

Dimensiuni in toli

Material: 1.2344
Duritate: 38 - 42 HRc

Gama completa a MW = .500 este de asemenea disponibil din aluminu-bronz.

Produse personalizate sunt disponibile la cerere.

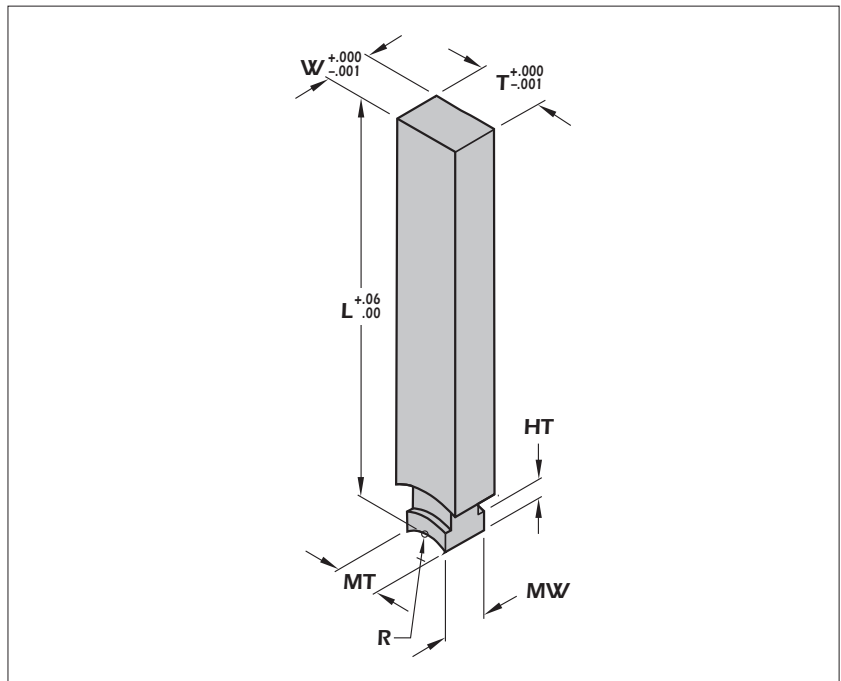
Slanted Ejector, Square Design

Inch dimensions

Material: 1.2344
Hardness: 38 - 42 HRc

The complete range of MW = .500 is also available in aluminium bronze.

Custom-made products are available on request.



MW	R	HT	T	W	L	MT min.	Nr. / No.	
.250	.250	.156	.385	.260	8	.25	S6371/ 37x25x8	
			.510				50x25x8	
			.760				75x37x8	
.500	.406	.187	.510	.510	8	.49	S6371/ 50x50x8	
					14		50x50x14	
					8		50x100x8	
			.760	.510	.510	14	.62	50x100x14
						8		50x150x14
						14		75x50x14
			1.010	.510	.510	.510	8	75x150x8
							14	75x150x14
							8	100x50x8
							14	100x50x14
							8	150x50x8
							14	150x50x14
			1.510	.760	.510	.760	8	150x75x8
							14	150x75x14
							8	S6371/ 100x100x10
18	100x100x18							
10	100x150x10							
18	100x150x18							
1.510	1.010	1.010	1.010	10	150x100x10			
				18	150x100x18			
				10	S6371/ 100x100x10			
				18	100x100x18			

Aruncator inclinat,
Forma rotunda

S6372/ ... (CBMM ...)

Dimensiuni metrice

S6373/ ... (CBS ...)

Dimensiuni in toli

Material: 1.2344

Duritate: 38 - 42 HRc

Gama completa a MW = .500 este de asemenea disponibil din aluminiu-bronz.

Produce personalizate sunt disponibile la cerere.

Slanted Ejector,
Round Design

Metric dimensions

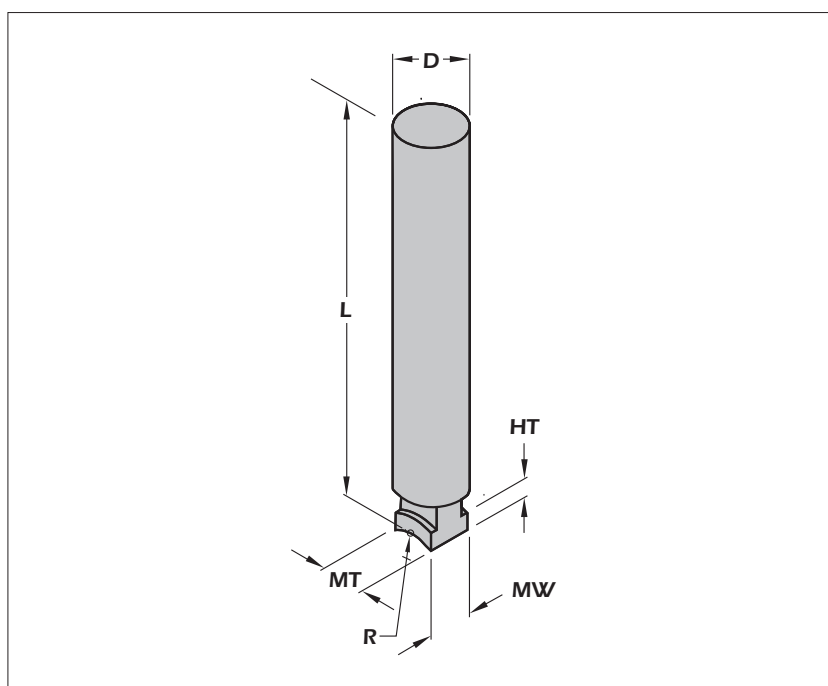
Inch dimensions

Material: 1.2344

Hardness: 38 - 42 HRc

The complete range of MW = .500 is also available in aluminium bronze.

Custom-made products are available on request.



MW	R	HT	D	L	MT	Nr. / No.
10	10	5	-0,025 10	250	10	S6372/ 10x250
			15			15x250

MW	R	HT	D	L	MT	Nr. / No.
.250	.250	.156	+0,000 -0,001 .437	+0,06 -0,00 8	.31	S6373/ 43x8
.500	.406	.187	.750	8	.62	S6373/ 75x8
				14		75x14
				18		75x18
1.000	.875	.375	1.250	10	1.00	S6373/ 125x10
				18		125x18