

Adaptor

Pentru S6420

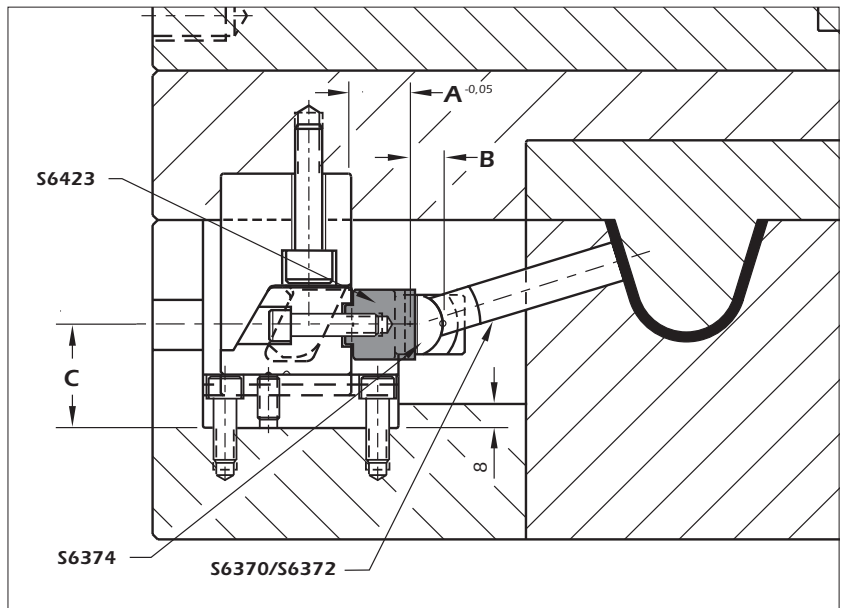
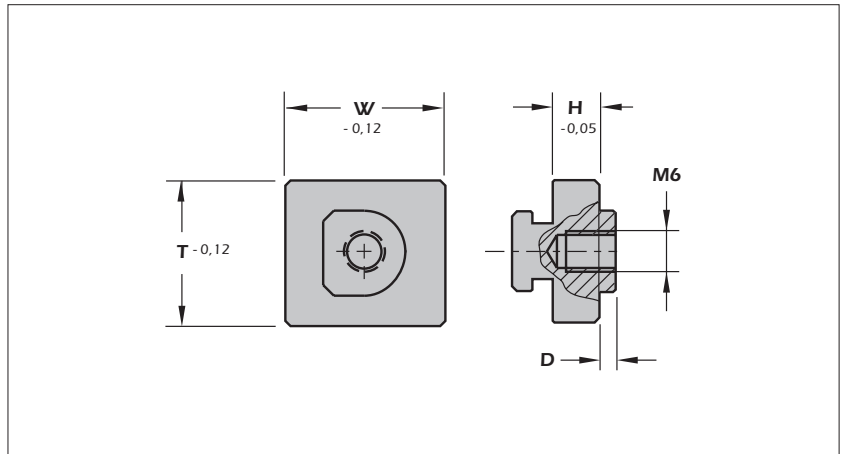
S6423/ ... (CTGMM- ...)

Material: Otel special
Duritate: 64-68HRc
Suprafata: Nitrurat

Adaptor

For S6420

Material: Special steel
Hardness: 64-68HRc
Surface: Salt bath nitrided



T	W	H	D	A	B	C	pentru/for S6420	Nr. / No.
23	23	6	2,5	12	10	30,15	X	S6423/ 23x23x6