

Placa de baza,
ghidare dubla

Baseplate,
Double Guiding

S6431/ A / ... cu dispozitiv de retinere / with retainer

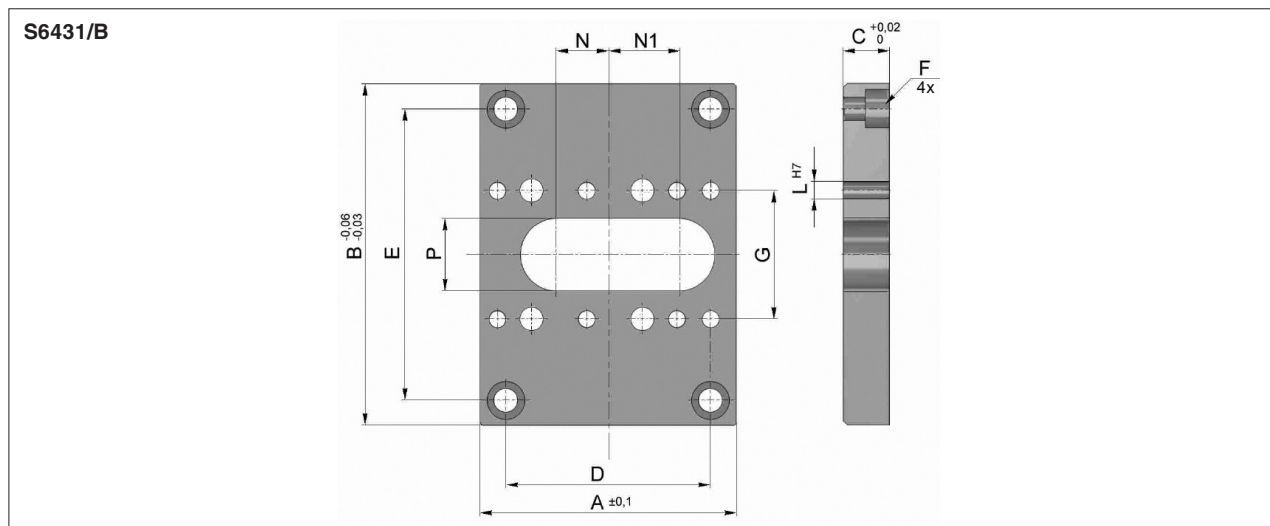
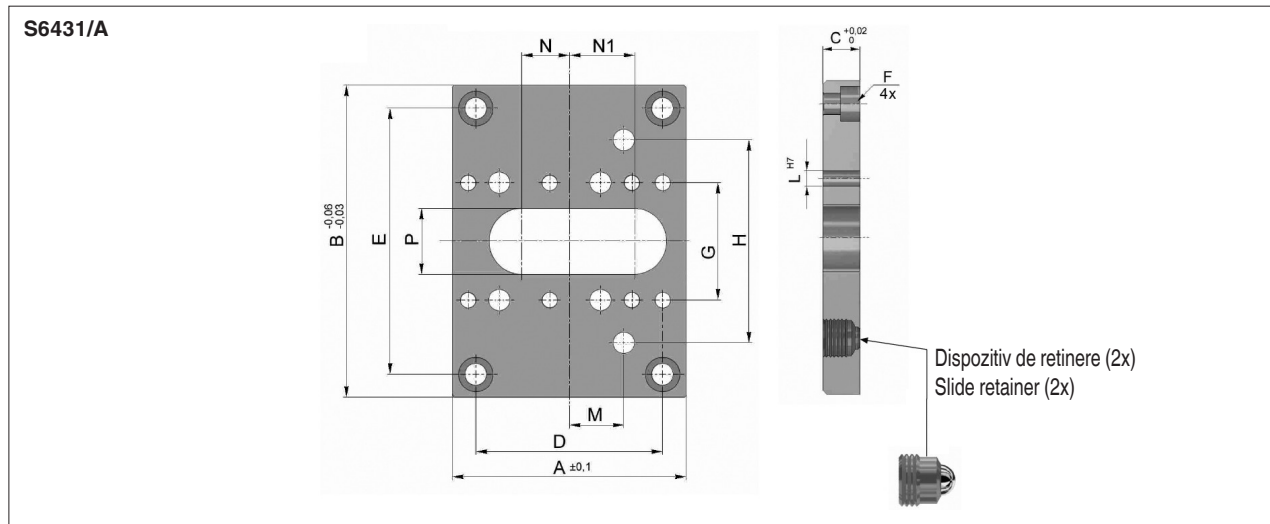
S6431/ B / ... fara dispozitiv de retinere / without retainer

Material/Duritate: Otel scula / 430 HV0.5
Adancime nitruza: 0,3 mm

Material/Hardness: Tool steel / 430 HV0.5
Nitriding depth: 0,3 mm

Suruburile, diblurile si arcurile de piston sunt incluse in pachet.

Screws, dowels and spring plungers are included in delivery.



Tip	A	B	C	D	E	F	G	H	K [kg]	L	M	N	N1	P	Nr. / No.
A	60	60	9,5	48	48	M5	30	47	5	4	14	12	16,5	17	S6431/A/ 60x60x9,5
		80			68			52							80x9,5
		100			80			60							100x9,5
B	100	100	11,5	80	82	M8	48	-	-	8	-	23,5	27	27	S6431/B/ 100x100x11,5
		120			90			-							120x11,5
		140			100			-							140x11,5
		160			110			-							160x11,5
B	150	160	14,5	120	120	M10	64	-	-	10	-	45	49	34	S6431/B/ 150x160x14,5
		180			-			-							180x14,5
		200			140			-							200x14,5

K = sarcina maxima/ maximum load

La cerere S6431/ A / ... si S6431/ B / ... poate fi livrat si cu tratare la suprafata.

On request S6431/ A / ... and S6431/ B / ... can be supplied with surface coating.