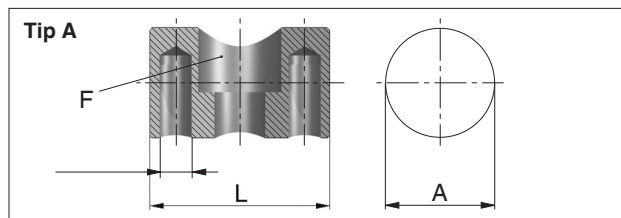


Coloana de ghidare, ghidare simpla

S6437/ ...

Material/Duritate: 1.7225 / 670 HV0.5
Adancime nitruira: 0,3 mm

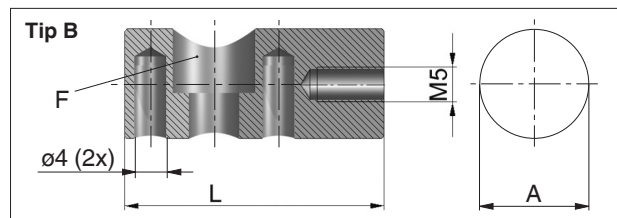
Coloana de ghidare Tip B este folosit numai pentru punctarea glisanta.



Guide Pillar, Single Guiding

Material/Hardness: 1.7225 / 670 HV0.5
Nitriding depth: 0,3 mm

The Tip B guide pillar is only used for slide spotting.

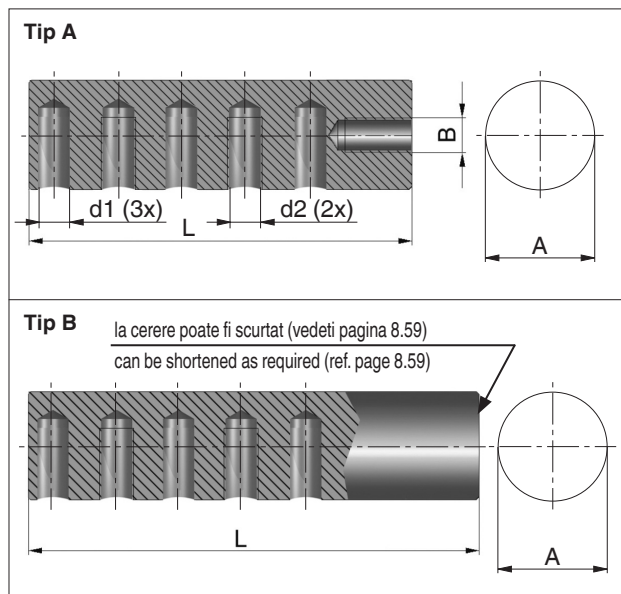


Tip	F	A	L	Nr. / No.
A	M5	12	20	S6437/ A / 12x20
B	M5	12	40	S6437/ B / 12x40

Coloana de ghidare, ghidare dubla

S6438/ ...

Material/Duritate: 1.7225 / 670 HV0.5
Adancime nitruira: 0,3 mm



Guide Pillar, Double Guiding

Material/Hardness: 1.7225 / 670 HV0.5
Nitriding depth: 0,3 mm



Tip	A	d1	d2	L	B	Nr. / No.
A	12	4	M5	60	M5	S6438/A/ 12x60
	20	8	M8	100	M8	20x100
	30	10	M10	150	M10	30x150
B	12	4	M5	100	-	S6438/B/ 12x100
	20	8	M8	160	-	20x160
	30	10	M10	250	-	30x250