

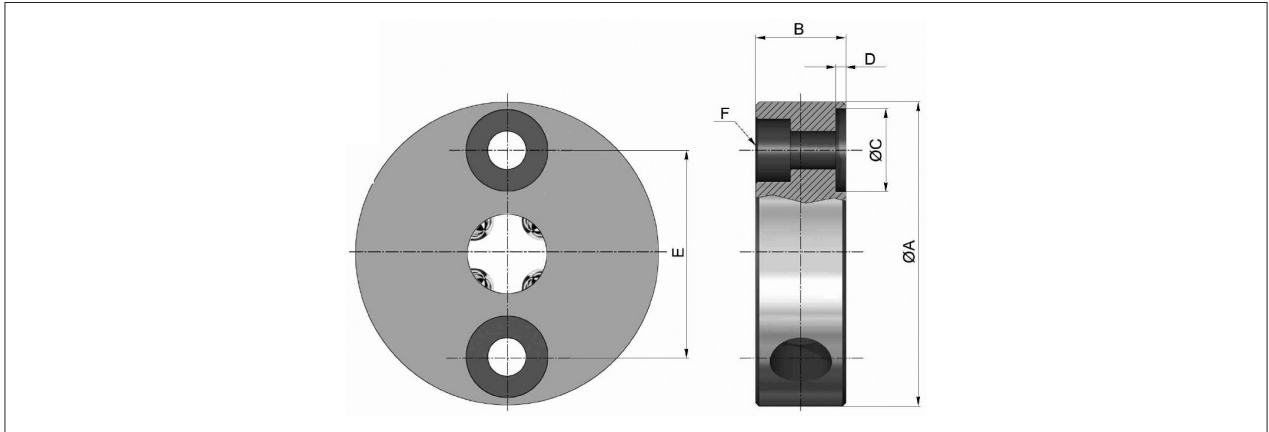
Dispozitiv de retinere la glisare, extern

Slide Retainer, External

S6440/ ...

Material/Duritate: 1.7225 / 800 N/mm²
Adancime nitrura: 0,1 mm

Material/Hardness: 1.7225 / 800 N/mm²
Nitriding depth: 0,1 mm



A	B	C	D	E	F	K [kg]	Nr. / No.
44	13	12	1,5	30	M5	10	S6440/ 44x13
74	18	20	2	48	M8	20	74x18
99	20	30	2,5	64	M10	40	99x20

K = sarcina maxima/ maximum load

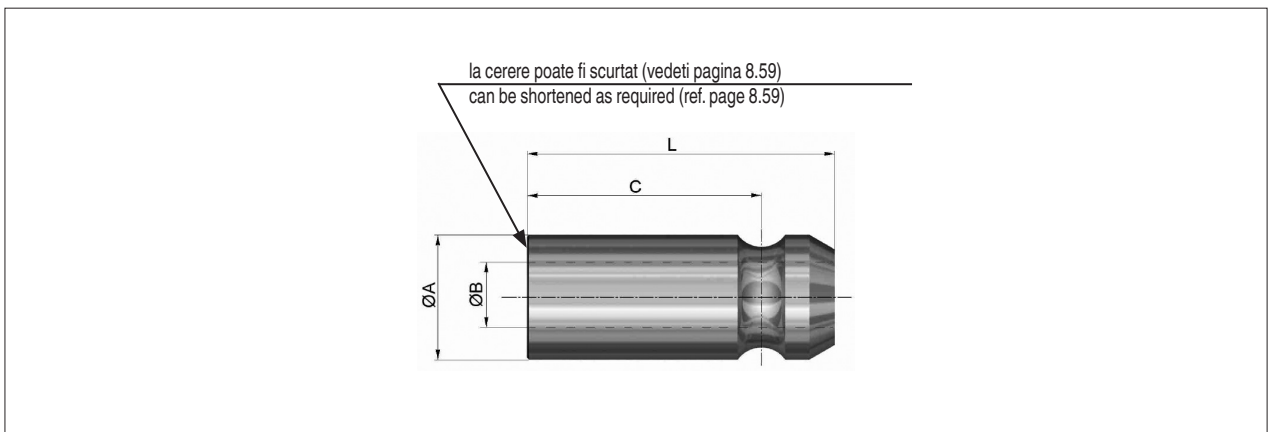
Bolt de retinere

Retaining Bolt

S6441/ ...

Material/Duritate: 1.7225 / 670 HV0.5
Adancime nitrura: 0,3 mm

Material/Hardness: 1.7225 / 670 HV0.5
Nitriding depth: 0,3 mm



A	L	B	C	Nr. / No.
11	25	5,5	19	S6441/ 11x25
17	42	8,5	32	17x42
24	62,5	10,5	49,5	24x62,5