

Regatoare de curgere DexaTHERM®

INFO

S3630/ ... (FM ...)

Racorduri de mari dimensiuni pentru iesiri si intrari pentru a permite o rata de debit mare (pana la 60l/min pe zona).

Large sized outlet and return manifolds to allow large flow rates (up to 60 l/min per zone).

Principala conexiune intrare/iesire diametru 1 1/4"

Main's In-/Outlet connections diameter 1 1/4"

Circuit de iesire la matrita
Conectarea G 3/8" sau G 1/2"

Outlet circuit to MOULD
Connexion size 3/8" or 1/2"

Circuit de intoarcere la matrita
Conectarea G 3/8" sau G 1/2"

Return circuit to MOULD
Connexion size 3/8" or 1/2"

Flow Control Unit DexaTHERM®

INFO

Valvele cu bile a intrarii si iesirii functioneaza in mod simultan cu un singur buton.

In- and outlet ball valves operated simultaneously by one knob.

Demontare foarte usoara si rapida a tubului in scopul curatirii si calibrarii: nu sunt necesare instrumente pentru demontarea tubului

Very easy and quick dismantling of the tube for cleaning and calibrating purposes: no tools are required to remove the tube

Citire directa a debitului fara referire la un grafic: citirea se face prin utilizarea indicatoarelor de referinta gradate in l/min.

Direct reading of the flow rate without referring to a graph: the reading is done by using reference marks graduated in l/min.

Termometru pentru a masura temperatura apei de intoarcere.

Thermometer to measure the temperature of the water on the return.

**Practic si de incredere
pentru o ajustare simpla, precisa si repetabila
a debitului...**

Noua generatie a regatoarelor de curgere **S3630** se bazeaza pe o piesa de capat unic si brevetat care ofera o multime de avantaje pentru operator. Tuburi speciale cu valva cuplata, cu senzor de temperatura si regulator de temperatura sunt disponibile pentru controlul temperaturii matritelor de injectie cu racire cu apa.

Aceste module de regatoare de temperatura tip DexaTHERM® pot fi instalate in orice moment in locul tuburilor standard, nefiind necesare unitati speciale si scumpe pentru aceasta functie.

Toate regatoarele de curgere standard tip DEXA® pot fi convertite in unitati de regatoare directe a matritelor.

De asemenea nu este necesar ca toate zonele sa fie echipate cu module de control al temperaturii.

**More user friendly and reliable
for simple, accurate and repeatable flow
adjustment ...**

The new generation of flow control unit **S3630** is based on the unique and patented head piece, which offers a lot of advantages to the operator. Special tubes with an in-built solenoid valves, a temperature sensor and a temperature controller are available for controlling the temperature of injection tools with cooling water as medium. This DexaTHERM® temperature control module can be installed at any time in place of the standard tube, no special and expensive unit is required for this function.

All standard DEXA® Flow Regulators can be converted to a direct mould tempering unit.

Also it is not necessary to have all zones fitted with temperature control modules.

Reglatoare de curgere

DexaTHERM®

INFO

S3630/ ... (FM ...)

Piesa de capat unicat si brevetat ofera o multime de avantaje pentru operator:

- Ambele valve cu bila a intrarii si iesirii sunt **operate cu un singur buton de reglare**. Prin urmare nu este posibila nicio confuzie intre valvele de intrare si iesire.
- Toate unitatile de la diferiti concurenti sunt dotate cu valve de evacuare cu doua butoane separate.
- Reglarea completa si precisa a debitului se efectueaza prin rotarea manerului la 180°.
- Dupa oprire, toate circuitele sunt depresurizate pentru o deconectare curata si sigura a cuplajelor si furtunurilor. Valva de intrare se opreste automat inainte de valva de evacuare.
- Raportul de deschidere intre cele doua valve este intotdeauna constanta. **Ajustarea debitului este perfect repetabila.**
- Pozitia butonului de reglare este indicata de semnul de referinta (gradat de la 0 la 10) astfel ca conditia debitelor in toate circuitele pot fi controlate individual permitand detectarea restrictiilor de debit in circuitele de racire

In ceea ce priveste performanta, unitatea regulatorului de debit poate sa ofere urmatoarele avantaje:

- Diferitele sectiuni de debit sunt de dimensiuni mari
- Profilele de debit sunt perfect optimizate pentru a permite o rata de debit mare (pana la 60 l/min.) cu un minim de restrictii de debit si turbulente.

Flow Control Unit

DexaTHERM®

INFO

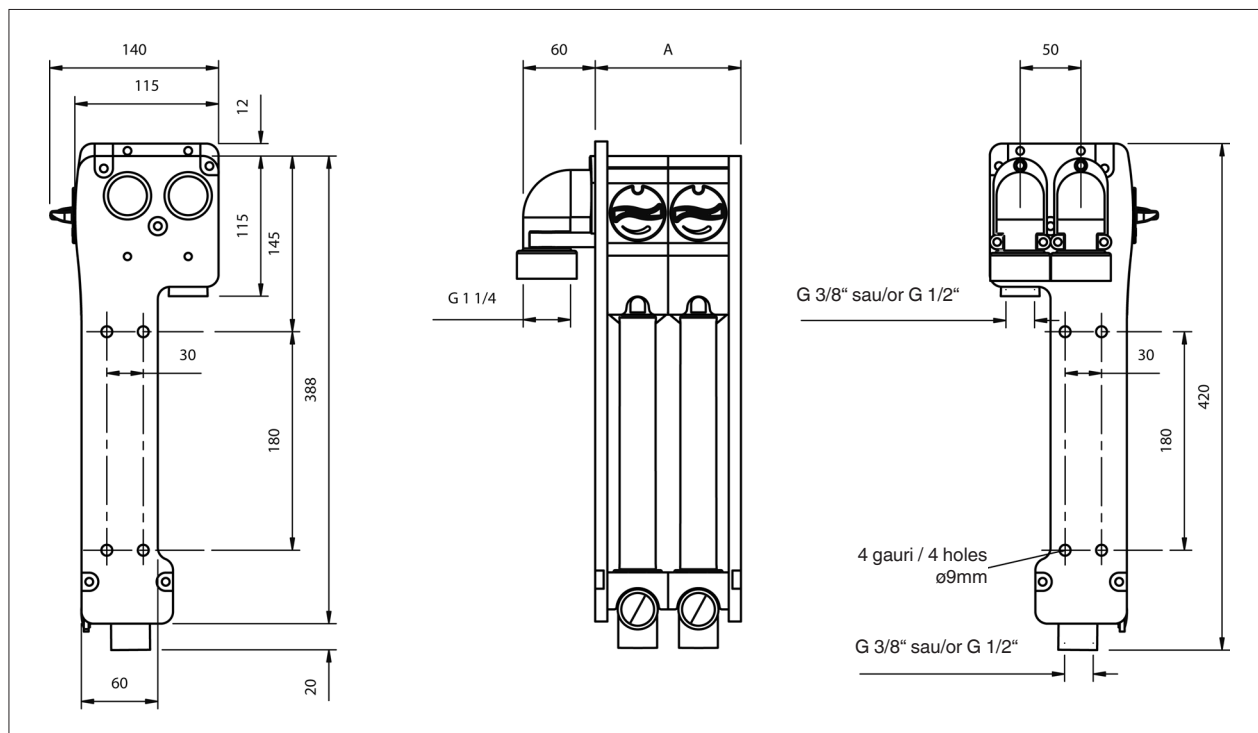
The unique and patented of the head piece offers a lot of advantages to the operator:

- Both in- and outlet ball valves are **operated by only one adjusting knob**. Therefore no confusion is possible between in- and outlet valves.
- All units from the various competitors are fitted with in- and outlet valves by two separate knobs.
- Full scale and accurate flow adjustment is done by just a 180° rotation of the knob.
- After shut-off all circuits are pressure free for a clean and safe disconnection of the couplings and hoses. The inlet valve automatically shuts off before the outlet valve.
- The opening ratio between both in-and outlet valves is always constant. **The flow adjustment is perfectly repeatable.**
- The position of the adjusting knob is indicated by reference marks (graduated from 0 to 10) so that the flow conditions in all circuits can be individually controlled, allowing the detection of possible flow restrictions in the cooling circuits.

With regards to the performance, the flow control unit offers the following advantages:

- The various flow sections are largely sized.
- Flow profiles are perfectly optimised to allow large flow rates (up to 60 l/min.) with a minimum of flow restrictions and turbulences.

Specificatii tehnice Technical specifications	Tip A	Tip B	Tip C
Temperatura maxima Maximum temperature °C	80		
Presiunea maxima Maximum pressure bar	7		
Debit Flow rates l/min	0 - 10	0 - 30	0 - 60
Filetul conectarii pentru intrarea si iesirea apei Thread connections for in-/outlet of water	G1 1/4"		
Filetul conectarii pentru intrarea si iesirea circuitelor de racire a matritelor Thread connections for in-/outlet of mould cooling lines	G3/8"	G3/8"	G1/2"
Numarul circuitelor de control Number of control circuits	1/2/4/6/8/10/12	1/2/4/6/8/10/12	1/2/4/6

Reglatoare de curgere
DexaTHERM®
Flow Control Unit
DexaTHERM®
S3630/ ... (FM ...)


Numarul de circuite Number of circuits	A	Nr. / No.
01	70	S3630/ . x 01 x DX .
02	120	02 x DX .
04	220	04 x DX .
06	320	06 x DX .
08	420	08 x DX .
10	520	10 x DX .
12	620	12 x DX .

Exemplu de comanda:
Order example:
